



Alignment Ring Installation Guide

Before You Start

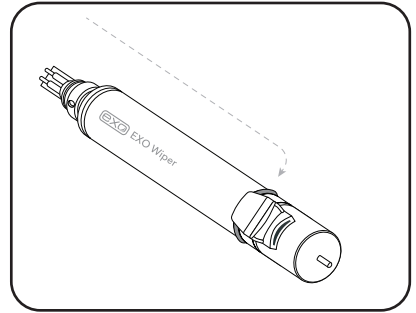
These instructions are relevant for installation on EXO2 and EXO3 Sondes.

What Do You Need?

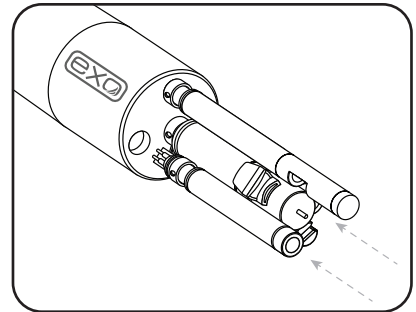
1. EXO2 or EXO3 Sonde
2. EXO Central Wiper
3. EXO Smart Sensor (x3)
4. EXO2/EXO3 Alignment Ring

EXO Wiper and Sensor Installation

- 1 Roll the new o-ring up the wiper probe until it seats under the wiper brush guard.



- 2 Install the Central Wiper on to the sonde bulkhead followed by the smart sensors.

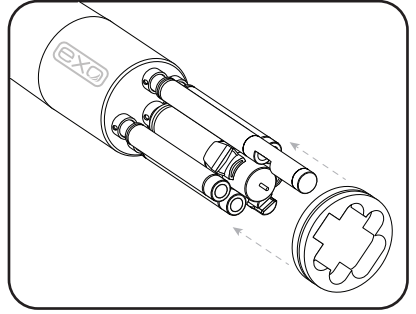


Do NOT leave any ports empty. Port plugs must be inserted into any port that does not have a sensor.

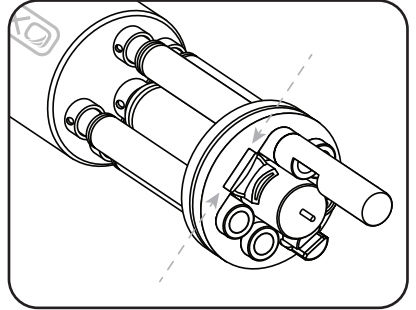
EXO Alignment Ring Installation

1

Slide the Alignment Ring over the sensors.



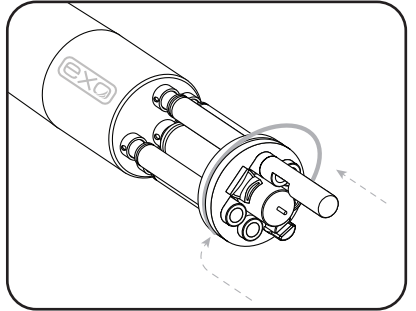
IMPORTANT: The top of the Alignment Ring should line up with the seam on the brush guard.



2

While holding the Ring in place, carefully pull the larger o-ring over the sensors and fit into the groove.

Once the o-ring is fully seated around the Alignment Ring, installation is complete.



Contact Information



1725 Brannum Lane
Yellow Springs, OH 45387
(800) 765-4974, (937) 767-7241
info@ysi.com

Visit [YSI.com/EXO](https://www.ysi.com/EXO) to find the User Manual, specs, and accessories.

Item# 608088 Dwg# 608088
July 2020 Rev A