



Precision Flow Control for Bioreactors

 **ALICAT**
SCIENTIFIC
BIO SERIES

Everything you need

Nothing you don't

Reliable, Adaptable and Compatible Flow Control

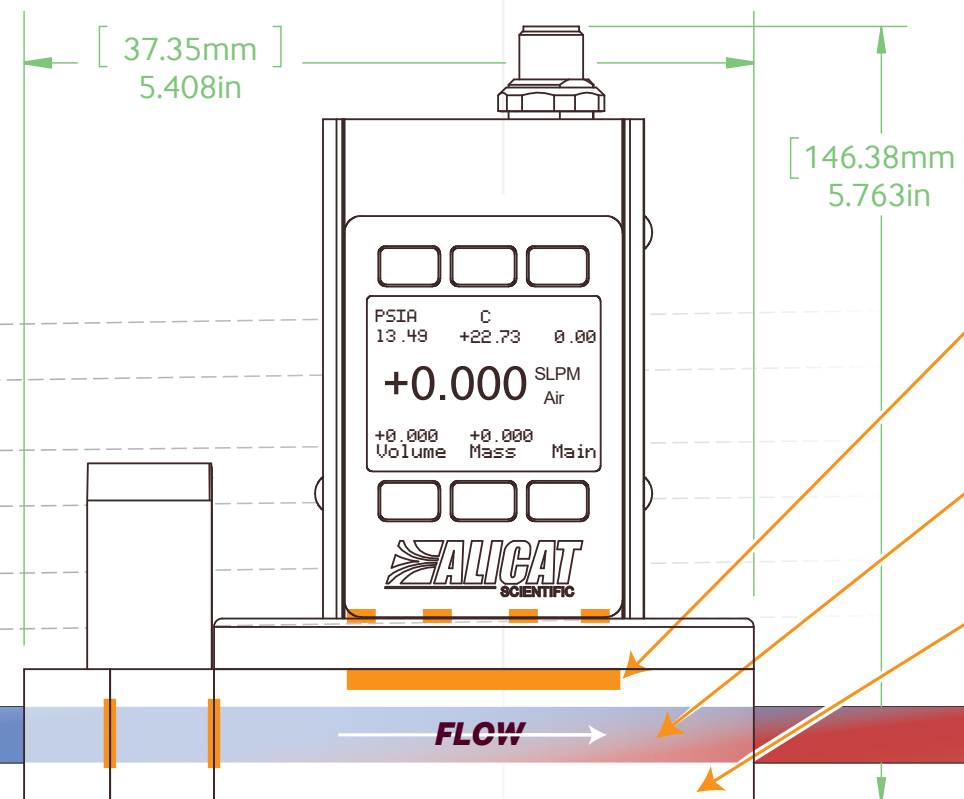
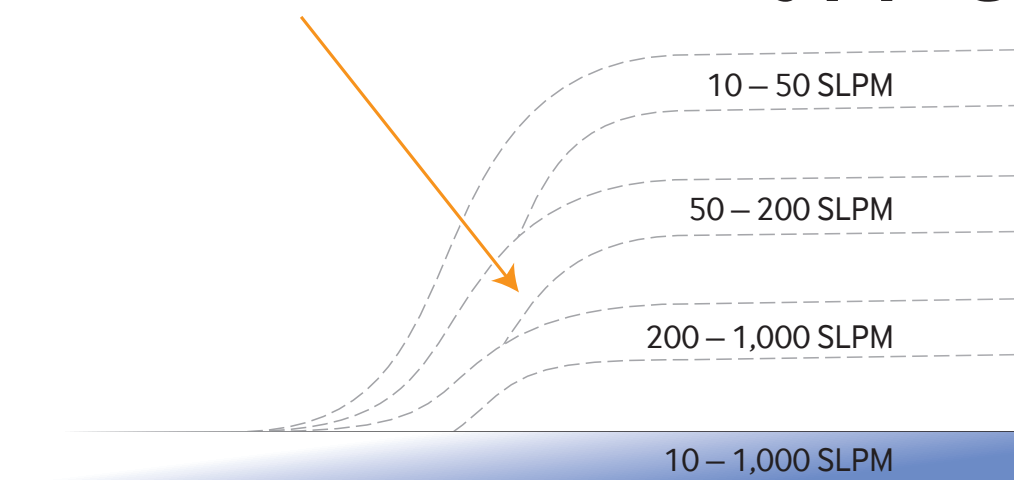
- **Extremely low zero drift** ensures long term measurement stability
- **Resistance to process water contamination** with a lifetime warranty
- **High contrast ultra-sharp color display**
- ASME recommended materials including **316L stainless steel** and USP Class VI FDA-grade certified elastomers
- **"Gas Select"** feature enables exchange of controller gasses without re-calibration or loss of accuracy
- **"Drive Display"** for monitoring of in-line process health and control performance



Flexible configuration, customized for your needs

- Built with your preferred **industrial protocols and Pharma 4.0** in mind
- **Wide range of flow rates** – from 1SCCM up to 5000SLPM
- **Controllable ranges exceeding 2000:1** eliminate the need for multiple gas lines
- Ultra-fast **10ms response times** enable high speed data logging and control
- **On-site calibration** tools available – Never return a unit
- **Flexible process connections** (SAE standard)

Wide range flow rates and compatibility with multiple gasses eliminates unnecessary piping



FDA-grade elastomers prevent contamination

Backflow tolerance with zero calibration drift

316L stainless steel for durability and stability, with a lifetime warranty



A **Halma** company

WORLD HEADQUARTERS:

7641 N Business Park Drive
Tucson, Arizona 85743, USA

Phone: +1 520.290.6060 | +1 888.290.6060 Fax: +1 520.290.0109

Email: info@alicat.com

www.alicat.com

EUROPE REGIONAL OFFICE:

Geograaf 24 • 6921 EW Duiven
The Netherlands

Phone: +31 (0) 26 203.1651

Email: europe@alicat.com

www.alicat.com

CHINA AND SOUTHEAST ASIA REGIONAL OFFICE:

2nd Floor, Block 63, #421 Hong Cao Rd, Xuhui District,
Shanghai, PRC 200233

Phone: +86.21.60407398 ext. 801, +86.21.60167680

Fax: +86.21.54530630

Email: info-cn@alicat.com

www.alicat.com.cn

INDIA REGIONAL OFFICE:

M/s Halma India Pvt. Ltd.

C/O Avire India Pvt. Ltd.

Plot No. A-147, Road No. 24

Next to Spraytech Circle, opp. Metropolitan Company

Wagale Industrial Estate, Thane (West) 400604, Maharashtra, India

Phone: +91.7507826561

Email: info-in@alicat.com

WITH MANUFACTURERS' REPRESENTATIVES WORLDWIDE

Lab Unlimited
CARL STUART GROUP

Tallaght Business Park
Whitestown, Dublin 24,
Ireland
D24 RFK3

Tel: (01) 4523432

Fax: (01) 4523967

E-mail: info@labunlimited.com

Web: www.labunlimited.com

Quatro House, Frimley Road,
Camberley,
United Kingdom
GU16 7ER

Tel: 08452 30 40 30

Fax: 08452 30 50 30

E-mail: info@labunlimited.co.uk

Web: www.labunlimited.co.uk