

Distributed by:

**Lab Unlimited**  
CARL STUART GROUP

Tallaght Business Park  
Whitestown, Dublin 24,  
Ireland  
D24 RFK3

Tel: (01) 4523432  
Fax: (01) 4523967  
E-mail: [info@labunlimited.com](mailto:info@labunlimited.com)  
Web: [www.labunlimited.com](http://www.labunlimited.com)

Quatro House, Frimley Road,  
Camberley,  
United Kingdom  
GU16 7ER

Tel: 08452 30 40 30  
Fax: 08452 30 50 30

E-mail: [info@labunlimited.co.uk](mailto:info@labunlimited.co.uk)  
Web: [www.labunlimited.co.uk](http://www.labunlimited.co.uk)



## ULT / Low Temperature Freezers

GB Instructions for use  
DE Bedienungsanleitung  
FR Mode d'emploi

## Warning.

As the appliance contains a flammable refrigerant, it is essential to ensure that the refrigerant pipes are not damaged.

**The quantity and type of the refrigerant used in your appliance is indicated on the rating plate.**

Standard EN378 specifies that the room in which you install your appliance must have a volume of 1m<sup>3</sup> per 8 g of hydrocarbon refrigerant used in the appliances. This is to avoid the formation of flammable gas/air mixtures in the room where the appliance is located in the event of a leak in the refrigerant circuit.

### **WARNING:**

Keep ventilation openings in the appliance's cabinet or in the built-in structure clear of obstruction

### **WARNING:**

Do not use other **mechanical devices** or other means to accelerate the defrosting process than those recommended by the manufacturer

### **WARNING:**

Do not damage the refrigerant system

### **WARNING:**

Do not use **electrical appliances** inside the refrigerated storage compartment, unless they are of a type recommended by the manufacturer

### **WARNING:**

Do not expose the appliance to rain, and secure not splashing water when cleaning the floor

### **WARNING:**

This appliance is not intended for use by persons (including children) with reduced physical, sensory or mental capabilities, or lack experience and knowledge, unless they have been given supervision or instructions concerning use of the appliance by a person responsible for their safety. Children should be supervised to ensure that they do not play with the appliance

**WARNING:**  
If a not compatible USB pen drive is used it can cause a reset of the controller

See page 18

**WARNING:**

Do not store explosives, such as aerosol cans with flammable propellants in the unit.

**WARNING:**

Danger risk of fire or explosion if flammable refrigerant are used. To be repaired only by trained personnel.



**WARNING:**

Sharp edges on cabinet, compressor compartment, evaporator, ventilation cover and on internal equipment can occur. Please be aware to avoid injury.

**WARNING:**

The condenser on the back of the appliance will in some cases have a hot surface. Please be aware to avoid injury.

- Always keep the keys in a separate place and out of reach of children
- Do not step on the lower panel to reach medicine in the top of the appliance.
- Before servicing or cleaning the appliance, unplug the appliance from the mains or disconnect the electrical power supply
- If the supply cord is damaged, it must be replaced by the manufacturer, its service agent, or similarly qualified persons in order to avoid a hazard
- **Relevant for Australia:** Supply cord fitted with a plug complies with AS/NZS 3112.
- Please note that changes to the appliance construction will cancel all warranty and product liability
- This device is intended to be used exclusively for medical products.
- If the instructions is lost please contact your supplier of the appliance to have a new instruction for use.

# Contents

- If service needed to this device, please be aware of only using service personnel with education in handling medical devices.

Warning .....2  
Unpacking the appliance ..... 4  
Get to know your freezer .....5  
Before use.....6  
Electrical connection..... 6  
Installation and start-up ..... 7  
Battery backup system at start-up ..... 10  
Interior fitting..... 11  
Port Hole..... 12  
Operation and function ..... 13  
Chart Recorder. Operating instruction ..22  
Defrosting, cleaning and maintenance .25  
Fault finding .....27  
Warranty, sparepart and service..... 28  
Disposal.....29

## Unpacking the appliance

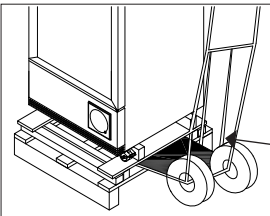


fig. 1

### Do not lay down the appliance!

Cut the band around the appliance and remove it.  
Remove the packing material of plastic and carton.  
The appliance is tipped from *from the side (handle side)*, by means of a sack truck.

Then the lower wooden frame can be removed.

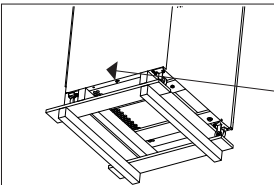


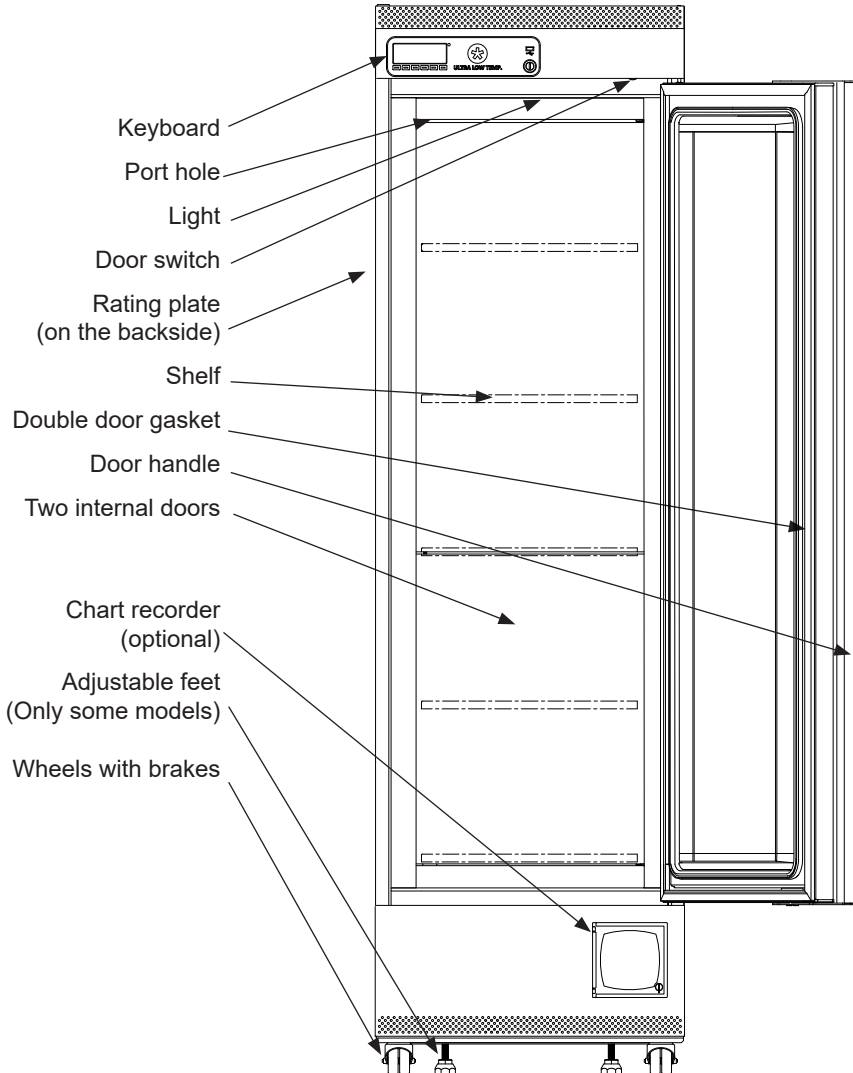
fig. 2

The lower wooden frame right under the appliance is bolted into the appliance.

Remove the 4 bolts using a wrench.

The appliance is tipped *from the side (handle side)*, by means of a sack truck. Then the wooden frame can be removed.

# Get to know your ULT/Low Temperature freezer



## Before use

Before operating your new appliance, please read the following instructions carefully as they contain important information on safety, installation, operation and maintenance. Keep the instructions for future reference.

On receipt, check to ensure that the appliance has not been damaged during transport. Transport damage should be reported to the local distributor before the appliance is put to use.

The foil on the shelves must be removed before cleaning and before using the unit. Clean the inside of the cabinet using warm water with a mild detergent. Rinse with clean water and dry thoroughly (see cleaning instructions). Use a soft cloth.

If during transport the appliance has been laid down, or if it has been stored in cold surroundings (colder than +5°C), it must be allowed to stabilise in an upright position for at least an hour before being switched on. Note: If the appliance is to be laid down, the door must face upwards and the appliance must be enclosed in the original packaging.

## Electrical connection

Wiring and connections in power supply systems must be all applicable (local and national) electrical codes. Consult these codes lengths and sizes prior to cabinet installation.

This device complies with relevant EU directives including Low Voltage Directive 2014/35/EU and Electromagnetic Compatibility Directive 2014/30/EU

The socket should be freely accessible.

Connect the appliance only to 220/240 V / 50Hz alternating current via a correctly installed earthed socket.

The socket must be fused with a 10 A or 13A fuse.

If the appliance is to be operated in a non-European country, check on the rating plate whether the indicated voltage and current type correspond to the values of your mains supply.

**Data regarding voltage and absorbed power / current are given on the rating plate.**

The power cord may be replaced by a technician only.

The rating plate provides various technical information as well as type and serial number.

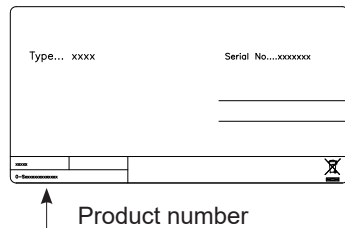


fig. 1

# Installation and start-up

## Placement

For safety and operational reasons, the appliance shall not be exposed to rain.

The appliance should be placed on a level surface in a dry, well ventilated room (max. 70% relative air humidity). Never place the appliance close to sources of heat and avoid placing it in direct sunlight.

The surface on which the appliance is to be placed must be level. Do not use a frame or similar.

The appliance can be installed as a free-standing unit against a wall or side-by-side with other appliances (see fig. 5 on page 7)

## Room temperature

The climate class is stated on the name plate. This specifies the optimum room temperature.

The appliance operates best at room temperatures:

Model	Optimum room temperature
ULT U250 -86°C	+16 °C to +20 °C
XLT U250 -60°C	+16 °C to +25 °C
LT U250 -45°C	+18 °C to +25 °C

## Ventilation

Keep ventilation openings, in the appliance enclosure or in the built-in structure, clear of obstruction. The figures below illustrate the clearance necessary to achieve the required air circulation. Fig 2 (Minimum 150 mm rear)

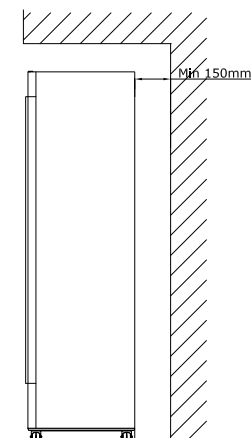
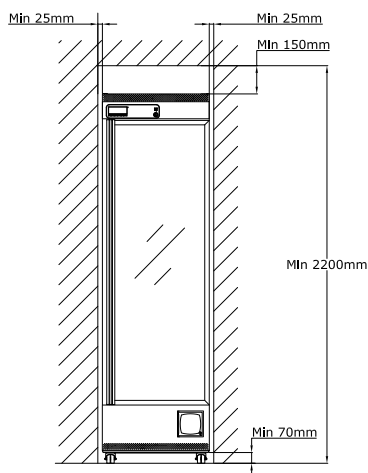


fig. 2

## Moving the unit

Unlock brakes on wheels.

Before moving the unit, ensure that the door is closed and locked. When moving the unit, always face the door and take a firm grip on either side of the door as shown. Fig 3

When the unit is installed, lock all the wheels (those that can be locked) and keep them locked until the unit shall be moved.

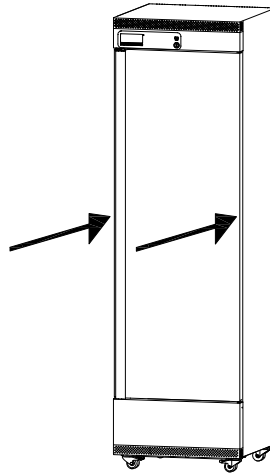


fig. 3

## Levelling the appliance

It is important that the appliance absolutely level.

If the appliance is to be placed on a soft surface, e.g. floorboards or a carpet, it is best to recheck whether the appliance is still level after a period of time as the underlying surface may yield under the weight of the appliance.

Some models have adjustment feet.  
(See fig 4)

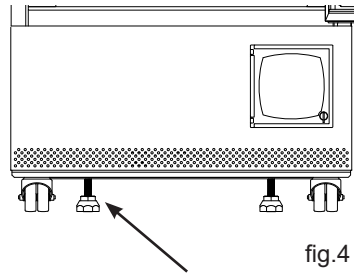


fig.4



## Side by side

In side-by-side arrangement, there must be at least 25 mm between and at the sides of the cabinets, so the doors can be opened freely (See fig. 5)

## Daily use

Please always wear gloves due to the very low temperatures inside the unit.

Always thoroughly remove defrosted ice/water on the front of the cabinet before closing the doors to prevent the gasket from freezing the door and cabinet together.

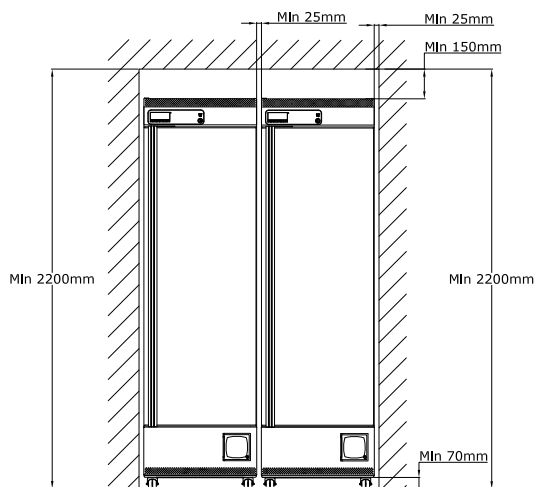


fig.5

## Installation of ventilation guard

The guards function is to secure an absolute minimum of ventilation, if the appliance is pushed too close up against a wall.

There are two different variants.

Fig 6.1 or 6.2



fig. 6.1

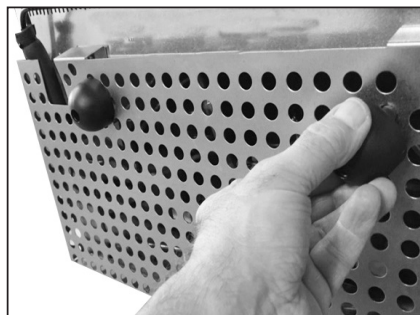


fig. 6.2

## Battery backup system at start-up

Some models are equipped with a battery back up system.

1. Open the door
2. Use a pen to switch on the battery backup system in the hole shown on fig. 7
3. When turned on the switch it will have a green light

### NOTE!

The battery back up system does not supply the cooling system with power to run.

When starting up the appliance for the first time it is necessary to switch on the battery back up system.

### NOTE!

The battery for back up should be changed every third year to secure 48 hours of back up. Please put this change in the maintenance schedule for every third year.

## Battery backup system

Some models are equipped with a battery back up system. The system supplies the controller and keyboard with power at power failure. This makes it possible to supervise the temperatures in the unit during the power failure.

The battery backup system makes it possible to supervise the temperatures for 50 hours. After a power failure and at the first start up the battery needs to be recharged. To regain the full capacity the battery will be reloading for 10 days

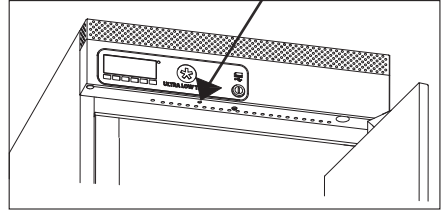


fig. 7

# Interior fitting

## Shelves

The shelves can be repositioned. To remove the shelves the door must be opened at least 90°.

1. Remove shelf brackets from shelf rails.
2. Replace shelf brackets in desired position (See fig. 8)

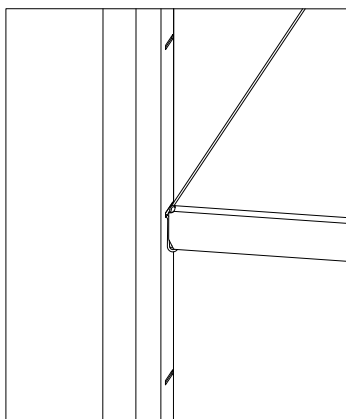
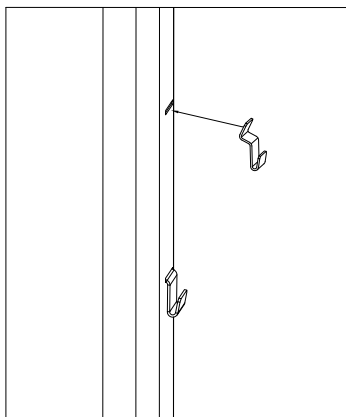
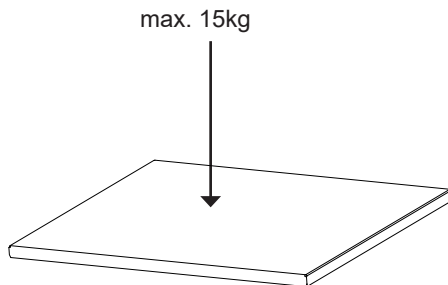


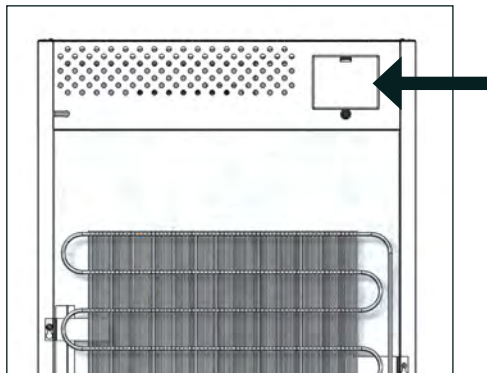
fig.8

The foil on the shelves must be removed before cleaning and before using the unit

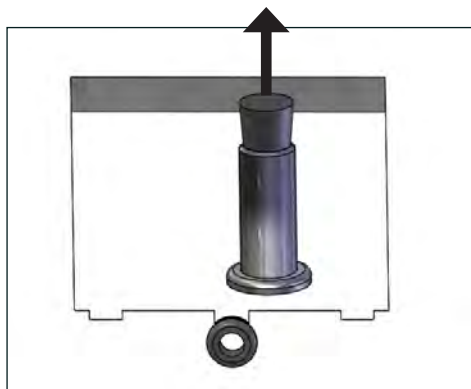


## Port Hole

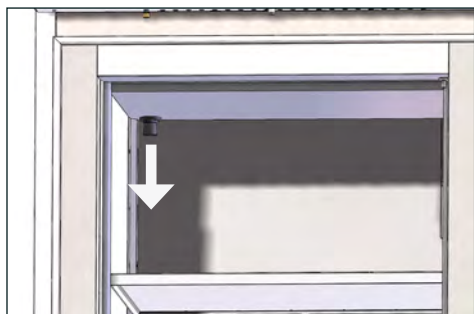
Some models are equipped with an extra port hole. Ex. for use of an external sensor.



1. Open the service hatchway in the top on the back. Use a screwdriver.



2. Remove the plug in the port hole tube.



3. Remove the plug in the port hole inside the freezer.

4. Insert the sensor in the port hole.

5. Close the hole in the tube with putty – both inside and outside.

7. Close the hatchway

## Operation and function

### Start up:

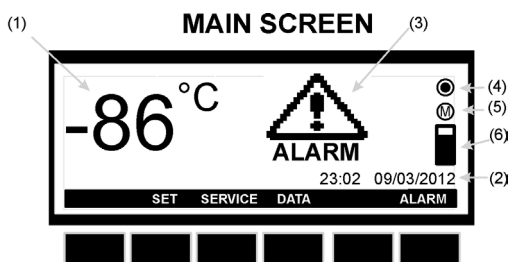
When the appliance is connected to the power supply, the keyboard will automatically start up.



The start up view on the keyboard will show the different software installed on the controller of the appliance.

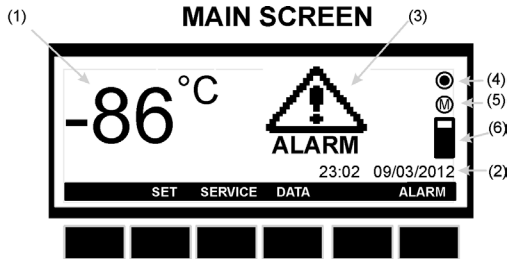
Press enter to return from the start up view.

### Operation – main view:



- (1) The temperature in the appliance (measured by the TR3 probe)
- (2) Time and date
- (3) ALARM icon. Flashing by alarm. On when there has been an alarm, but the alarm is no longer active.
- (4) Logging icon. Of if no logging. On when logging
- (5) Memory icon. On when the memory is 90% full. Flashing when the memory is full, and the controller is deleting the oldest logging data.
- (6) Memory bar. Shows the status of the memory.

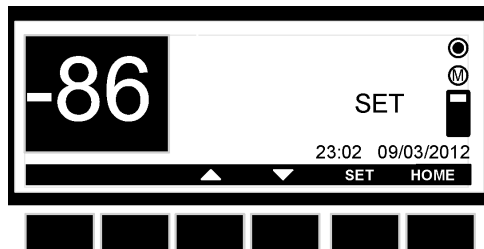
Keys – main view:



- SET:** Enter the Set Point menu of the temperature
- SERVICE:** Enter the Service menu
- DATA:** Enter the Data Logging menu
- ALARM:** Enter the Alarm menu

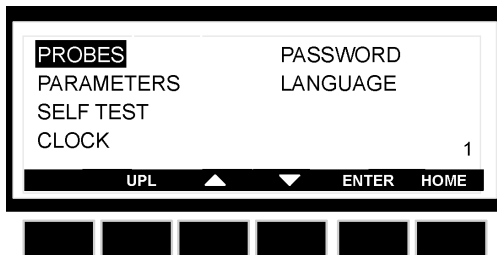
How to see and modify the temperature Set Point:

1. Push and immediately release the **SET** key: the display will show the Set Point value.
2. To modify the value push the **SET** key, the Set Point start flashing.
3. Use the **UP and DOWN** keys to modify the value.
4. To memorize the new Set Point value push the **SET** key again or wait 30sec.



## Service menu:

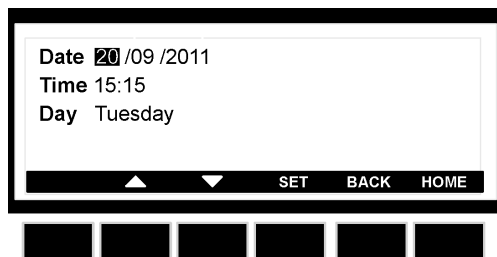
From the main view push the **SERVICE** key and the SERVICE menu is entered.  
See below picture:



- PROBES:** Enter the probes, to see the measured temperatures. 1-4 probes is available depending on model.
- PARAMETERS:** Enter the setting of the parameters. Please note that changes made to the parameters should only be made of a technician. The code to enter the Pr2 parameters is standard set to 12.
- SELF TEST:** Enter the Self Test program of the controller.
- CLOCK:** Enter clock menu, where it is possible to change date and time.
- PASSWORD:** Enter the password menu, where it is possible to change the password.
- LANGUAGE:** Enter the language menu, where it is possible to change language.

## How to set time and date:

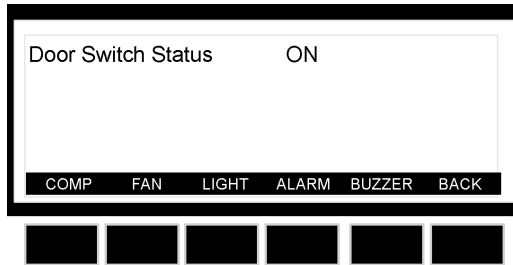
1. Enter the SERVICE menu
2. Select CLOCK sub-menu
3. Push the ENTER key.
4. Set the day by means of the UP and DOWN keys.
5. Push the SET key, to confirm and pass to the setting of time.
6. Use the same procedure as for the date.
7. Then confirm the selection by means of the SET key.





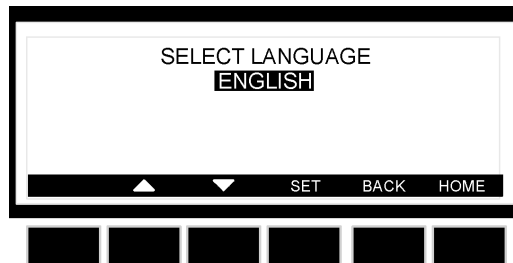
## How to use the Self Test:

1. Enter the **SERVICE** menu
2. Select **SELF TEST** sub-menu
3. Push the **ENTER** key,
4. If **PASSWORD** is required, insert the password,
5. OTHERWISE the SELF TEST menu is entered directly.
6. Push the **START** key
7. Then push the keys to activate the correspondent loads:
  - a. Compressor
  - b. Light
  - c. Fan
  - d. Alarm
  - e. Buzzer
8. The display shows the status of the digital input (ON or OFF)
9. Wait 30s or push the **BACK** key to come back to the previous screen.



## How to change language:

1. Enter the **SERVICE** menu
2. Select **LANGUAGE** sub-menu
3. Push the **ENTER** key and the **LANGUAGE** menu is entered.
4. Push the **SET** key and then use the **UP** and **DOWN** keys to select the language and then the **SET** key to confirm it.





## Data menu:

From the main view push the **DATA** key and the DATA menu is entered.  
See below picture:



**LOG:** Enter the data logged by the controller.

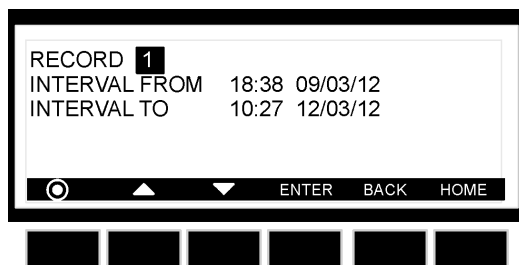
**EXPORT:** Export the data to an USB pen drive delivered with the appliance.

**GRAPH:** Enter the graph showing the temperature logged the last 24h (with a logging interval of 15min.)

## How to enter the log:

1. Enter the **DATA** menu
2. Select **LOG** sub-menu
3. Push the **ENTER** key and the LOG menu is entered.
4. By **UP and DOWN** keys chose the data interval to display
5. Push the **ENTER** key to display the selected data.

**NOTE: THE  KEY: IS USED TO STOP AND START LOGGING**





Logged data will have this layout:

		TR3	EVP	TL1	TL2	ST
19/05/08	11.34	25.4	25.8	-	25.5	C
19/05/08	11.35	25.4	25.8	-	25.5	C
19/05/08	11.36	25.4	25.8	-	25.5	-
19/05/08	11.37	25.4	25.8	-	25.5	D

EXIT

Where TR3, EVP, TL1, TL2 = Value of probes.

With probe failure or absence:” - “ symbol is displayed. Please note that 1-4 probes are available depending on model.

ST: status of the controller/load

- - = operating, without any load activated;
- D = defrost running (if automatic defrost is available)
- C = compressor working

## How to export data:

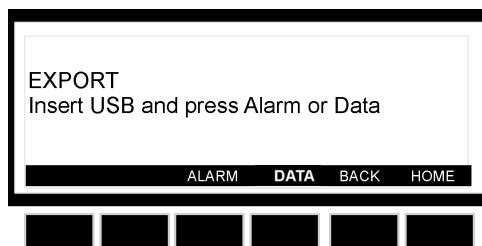
1. Enter the **EXPORT** menu
2. Insert the USB pen drive supplied by **Nordic Freeze**.
3. Select **ALARM** or **DATA**, the controller starts sending data to the pen drive, when the export is finished the message: **EXPORT - Copy completed** is displayed.

The exported data will be exported as a CSV-file (Comma Separated Values). This file can be used in ex. Excel for making graphs.

**IMPORTANT:** during the download don't remove the USB pen drive: this action could damage the data files and USB pen drive itself.

**WARNING:** leave the USB pen inserted only for the time necessary to export data then remove.

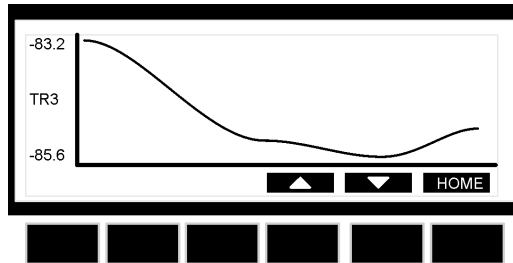
**WARNING:** if a not compatible USB pen drive is used it can cause a reset of the controller



## How to enter the Graph:

1. Enter the DATA menu
2. Select GRAPH sub-menu
3. Push the ENTER key and the GRAPH menu is entered.
4. By UP and DOWN keys chose the probe that has to be displayed.
5. Push the HOME key to get back to the main view.

**NOTE: A graph is erased when the controller is switched off.**



## Alarm menu:

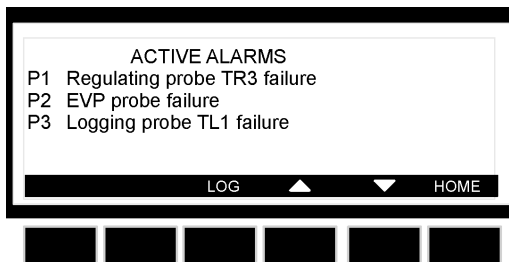
If the alarm icon is **flashing** on the main display, an alarm is occurring.

If the alarm icon is **displayed but not flashing** on the main display, an alarm is occurred and recovered.

Once the alarm signal is detected the buzzer can be silenced by pressing any key.

### Active alarms:

1. Push the **ALARM** key to enter the alarm menu.
2. The alarm menu displays the active alarm with the following layout:
  - a. **First column** = alarm code
  - b. **Second column** = alarm description

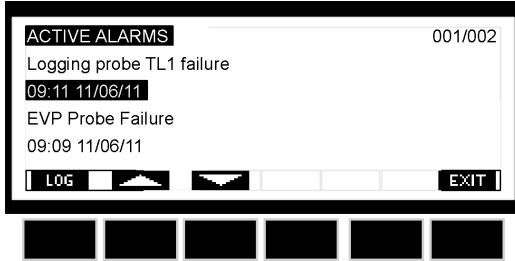




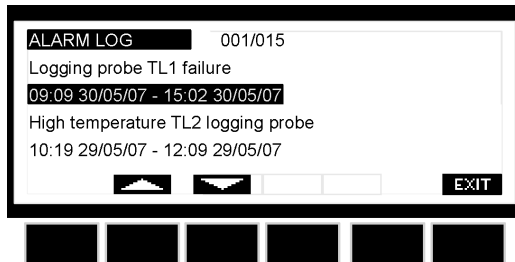
3. Push the **LOG** button to enter the **ACTIVE ALARM LOG**.

This menu contains all the information concerning the active alarms. In the first line, it is displayed how many alarms are happening.

4. It's possible to move through the alarms by the UP and DOWN keys.



5. Push the **LOG** button to enter the **ALARM LOG**. This menu contains all the memorized alarms. For each alarm the starting time and date and the finish time and date are recorded.



"P1"	Regulating probe TR3 failure	Alarm output ON; Compressor output according to parameters <b>Con</b> and <b>CoF</b>
"P2"	EVP Probe Failure	Alarm output ON; Other outputs unchanged
"P3"	Logging probe TL1 failure	Alarm output ON; Other outputs unchanged
"P4"	Logging probe TL2 failure	Alarm output ON; Other outputs unchanged
"HA1"	TR3 High Alarm	Alarm output ON; Other outputs unchanged
"LA1"	TR3 Low Alarm	Alarm output ON; Other outputs unchanged
"HA3"	High temperature alarm probe TL1	Alarm output ON; Other outputs unchanged
"LA3"	Low temperature alarm probe TL1	Alarm output ON; Other outputs unchanged
"HA4"	High temperature alarm probe TL2	Alarm output ON; Other outputs unchanged
"LA4"	Low temperature alarm probe TL2	Alarm output ON; Other outputs unchanged
"dA"	Door Open Alarm	Compressor and fans depend on " <b>rrd</b> "
"EA"	External Alarm	Output unchanged
"CA"	Serious Alarm	All outputs OFF
	"Real Time Clock Error".	Please set the date and time. See page 15

# Chart Recorder

## Operating instruction

### Maintenance:

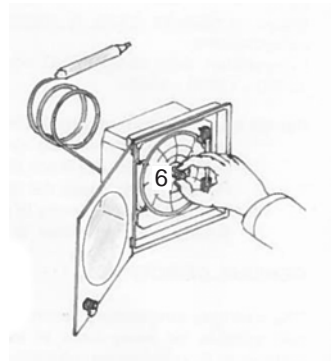
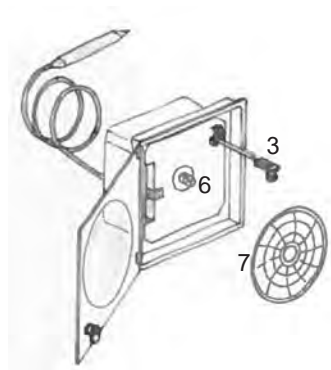
- Regularly replace the chart and the fibre point pen.
- Replace the alkaline battery every year.

### Putting into operation

1. Open the door with the key.
2. Lift the steel pen (3) into upright position away from the chart (7).
3. Push the chart holder (6) sideways and lift it up, and remove the chart (7)
4. Remove the plastic strip to activate the battery.
5. Reinstall the chart (7), lower the chart holder (6), and push it sideways.
6. Lower the steel pen carefully (3).
7. Turn the chart manually in correct starting point and note the date on the chart.

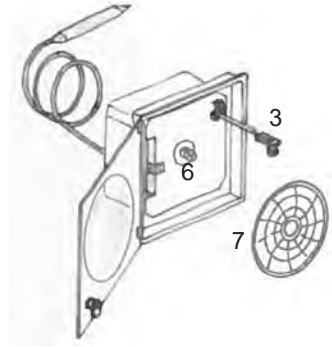
**It is advisable to wait almost 6 hours to see the trail of the fibre point pen on the chart.**

8. Remove the protection of the pen-nib.
9. Close the door with the key.



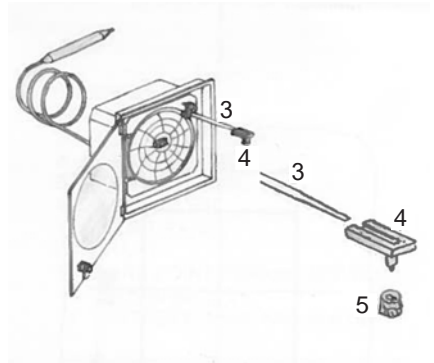
## Substituting the chart

1. Push the chart holder (6) sideways and lift it up.
2. Remove the chart (7).
3. Insert the new chart.
4. Lower the chart holder (6) and push it sideways.



## Substituting the fiber tipped pen

1. Pull out the fibre pen (4) taking care not to damage the pen.
2. Gently place the new fibre pen on the pen arm.



## Controll working - Pen arm calibration

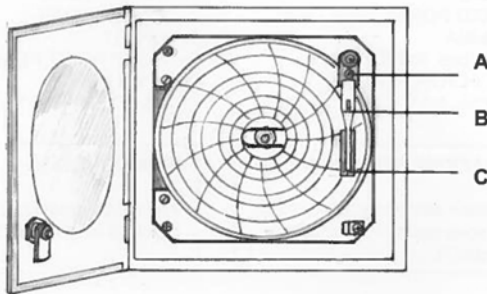
The chart recorder is calibrated from the factory. However, it is important to check that the temperature trail is showing the right temperature.

We suggest to control the recorder's calibration every 12 months.

Messure the temperature near by the installed temperature sensor (probe) with a reliable thermometer.

If there is a difference of  $\pm 2^{\circ}\text{C}$  between the data provided by the reliable thermometer and those of the recorder, proceed as follows:

- Gently take the pen's arm B.
- With a small screwdriver, calibrate the regulation screw A, until the fibre pen C is writing the same temperature as the reliable thermometer shows.





# Defrosting, cleaning and maintenance

## Defrosting:

The items stored in the freezer and the humidity of the surrounding air gradually cause frost and ice to form inside the freezer. A thin layer of frost or ice does not affect freezer performance, but the thicker the layer, the higher the energy consumption.

Never use electrical apparatus or sharp implements as these may damage the inside of the appliance.

## Quick defrosting:

Small amounts of loose frost can be removed using a plastic scraper.

Defrosting has to be done regularly to prevent ice building.

The ice build depends on the use of the freezer. The more daily door openings – the more manual defrosting.

Door open/ close per 24h	Advised monthly manual defrosting
<5	1-2
<10	2-4
<15	4-6

## Thoroughly defrosting:

When the layer of frost and ice exceeds 4-5 mm the freezer should be completely defrosted. It is recommended that defrosting be performed when there are no items stored in the freezer.

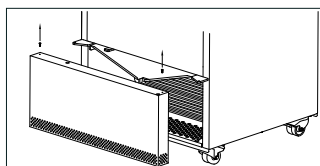


fig. 9

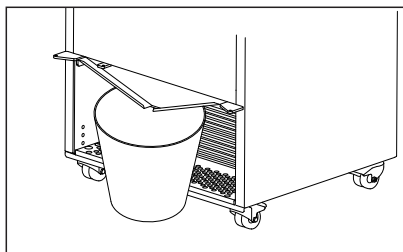


fig. 10

## Proceed as follows:

1. Disconnect the power supply.
2. Remove the lower panel from beneath the door by loosening the two screws. Use a 2mm Hexagon key. See fig 9
3. Position a bucket or a suitable container under the defrost water drain. /see fig 10)
4. Place a bowl of hot (but not boiling) water in the freezer, close the door and wait approx. 30 minutes before removing loose frost with the plastic scraper.
5. To prevent water from damaging the floor during defrosting, it is advisable to check the bucket/container from time to time and to cover the floor around the defrost water drain to protect against ice and splashes. When all the frost and ice have melted, clean the inside of the appliance using water with a mild, perfume-free detergent. Dry the freezer with a soft cloth.
6. Mounts the lower panels again and reconnect the power supply.
7. Return items to the freezer when the required temperature has been reached.

## Cleaning and maintenance

Before cleaning, disconnect the power supply and remove all loose fittings.

The appliance is best cleaned using warm water (max. 65°C) with a little mild, perfume-free detergent. Never use cleaning agents that scour. Use a soft cloth. Rinse with clean water and dry thoroughly. It is important to prevent water from entering the control panel.

The sealing strips around the door must be cleaned regularly to prevent discolouration and prolong service life. Use clean water. After cleaning the sealing strip, check that it continues to provide a tight seal.

It is recommended that the wire and tubular condensers on the rear of the appliance be cleaned.

The ventilation grille, the condenser, the compressor and the compressor compartment must also be kept free of dust and dirt. Clean it with a vacuum cleaner regularly. Remove the lower panel from beneath the door by loosening the two screws (see fig 9) Do the same on the back (see fig. 11)

**OBS:** If the appliance is not to be used for any length of time, switch it off, disconnect the power supply, empty it, clean the inside and leave the door open to allow air circulation and prevent smells.

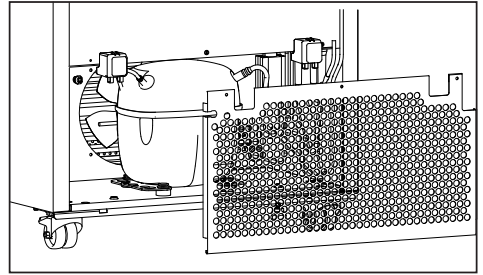


fig. 11

## Fault finding

Fault	Possible cause	Remedy
Screen of keyboard is not lit.	Power failure; the fuse is blown; the appliance is not plugged in correctly, the power is cut.	Check that power is connected. Reset the fuse
Temperature in freezer too high	<p>The ventilation grille is blocked.</p> <p>The door is not closed properly.</p> <p>The quantity of items placed in the freezer at a time is greater than the capacity of the appliance.</p> <p>Thick layer of frost and ice.</p> <p>The temperature setting is too high</p>	<p>Ensure unhindered air circulation</p> <p>Close the door and wait a few hours</p> <p>Wait a few hours</p> <p>Defrost the freezer.</p> <p>Lower the temperature setting.</p>
Temperature in freezer too low.	The temperature setting is too low	Raise the temperature setting
Vibration or bothersome noise	The appliance is not level.	Level the appliance (For model with adjustable feet: use a spirit level)
Compressor runs continuously.	<p>The temperature setting is too low.</p> <p>Too high room temperature.</p>	<p>Raise the temperature setting.</p> <p>Ensure adequate ventilation</p>
Display or alarm log shows "Real Time Clock Error".	The date and time is not set.	Please set the date and time See page 15

# Warranty, spare parts and service

## Warranty disclaimer

Faults and damage caused directly or indirectly by incorrect operation, misuse, insufficient maintenance, incorrect building, installation or mains connection. Fire, accident, lightning, voltage variation or other electrical interference, including defective fuses or faults in mains installations.

Repairs performed by others than approved service centres and any other faults and damage that the manufacturer can substantiate are caused by reasons other than manufacturing or material faults are not covered by the warranty.

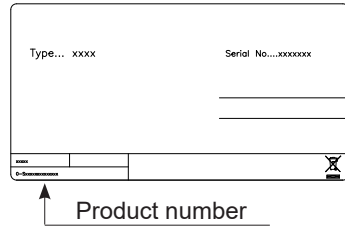
Please note that changes to the construction of the appliance or changes to the component equipment of the appliance will invalidate warranty and product liability, and the appliance cannot be used lawfully. The approval stated on rating plate will also be invalidated.

Transport damage discovered by the buyer is primarily a matter to be settled between the buyer and the distributor, i.e. the distributor must ensure that such complaints are resolved to the buyer's satisfaction.

Before calling for technical assistance, please check whether you are able to rectify the fault yourself. If your request for assistance is unwarranted, e.g. if the appliance has failed as a result of a blown fuse or incorrect operation, you will be charged the costs incurred by your call for technical assistance.

## Spare parts

When ordering spare parts, please state the type, serial and product numbers of your appliance. This information is given on the rating plate. The rating plate contains various technical information, including product-type and serial numbers.



# Disposal

## *Information for Users on Collection and Disposal of Old Equipment and used Batteries*



These symbols on the products, packaging, and/or accompanying documents mean that used electrical and electronic products and batteries should not be mixed with general household waste. For proper treatment, recovery and recycling of old products and used batteries, please take them to applicable collection points, in accordance with your national legislation and the Directives 2002/96/EC and 2006/66/EC.

By disposing of these products and batteries correctly, you will help to save valuable resources and prevent any potential negative effects on human health and the environment which could otherwise arise from inappropriate waste handling.

For more information about collection and recycling of old products and batteries, please contact your local municipality, your waste disposal service or the point of sale where you purchased the items.

Penalties may be applicable for incorrect disposal of this waste, in accordance with national legislation.



## **For business users in the European Union.**

If you wish to discard electrical and electronic equipment, please contact your dealer or supplier for further information.

## **Information on Disposal in other Countries outside the European Union**

These symbols are only valid in the European Union. If you wish to discard this product, please contact your local authorities or dealer and ask for the correct method of disposal.

### **Note for the battery symbol:**



This symbol might be used in combination with a chemical symbol. In this case it complies with the requirement set by the Directive for the chemical involved.

### **NOTE:**

It is very important to dismantle the door before disposal. This to prevent any accident by children playing with the cabinet and door.

## Warnung

Da ein brennbares Gas als Kältemittel in diesem Gerät dient, ist es wichtig sicherzustellen, dass kein Teil des Kühlkreislaufs oder der Röhren beschädigt ist.

Der Standard EN378 spezifiziert, dass der Raum, in dem das Gerät installiert wird, ein Volumen von 1m<sup>3</sup> pro 8 g Kohlenwasserstoff-Kältemittel, das im Gerät verwendet ist, haben soll. Dies ist zu beachten, um die Bildung von leicht entzündlichen Gasgemischen in dem Raum, wo das Gerät installiert ist, zu vermeiden, falls eine Undichtigkeit des Kühlkreislaufs entsteht. Die Menge von Kältemittel im Gerät ist auf dem Typenschild angegeben.

### **WARNUNG:**

Decken Sie die Lüftungsöffnungen im Kabinett am Gerätes oder am Einbaumodul nicht ab.

### **WARNUNG:**

Verwenden Sie keine anderen mechanischen Geräte oder Hilfsmittel um den Entfrostsprozess zu beschleunigen, als die Geräte, die vom Hersteller empfohlen sind.

### **WARNUNG:**

Beschädigen Sie nicht den Kühlkreislauf.

### **WARNUNG:**

Verwenden Sie keine elektrischen Geräte im Gerät, es sei denn, dass die Geräte vom Hersteller empfohlen sind.

### **WARNUNG:**

Das Gerät vor Regen schützen, und bei der Fußbodenreinigung Spritzwasser vermeiden

### **WARNUNG:**

Dieses Gerät ist nicht zur Verwendung durch Personen (einschließlich Kinder) mit eingeschränkten physischen, sensorischen oder geistigen Fähigkeiten oder fehlender Erfahrung und Wissen bestimmt, es sei denn, eine angemessene Aufsicht oder Anleitung zur Benutzung des Geräts durch eine für ihre Sicherheit zuständige Person ist gegeben. Kinder sollten beaufsichtigt werden um sicherzustellen, dass sie nicht mit dem Gerät spielen.

**WARNUNG:**

Wenn ein nicht kompatibler USB Stick verwendet wird kann dies zu einem Reset des Controllers führen. Seite 18

**WARNUNG:**

Keine Produkte mit brennbaren Treibgasen (z. B. Spraydosen) und keine explosiven Stoffe lagern. **Explosionsgefahr!**

**WARNUNG:**

Gefahr von Feuer oder Explosion wenn brennbares Kältemittel ist verwendet. Darf nur von Fachpersonal repariert werden.

**WARNUNG:**

An Gehäuse, Kompressorteil, Verdampfer, Lüfterverkleidung und an Innenteilen können scharfe Kanten vorhanden sein. Bitte Vorsicht walten lassen, um Verletzungen zu vermeiden.

**WARNUNG:**

Der Verflüssiger hinten am Gerät hat zeitweise eine heiße Oberfläche. Bitte Vorsicht walten lassen, um Verletzungen zu vermeiden.

- Vor Reparatur oder Reinigung des Gerätes den Netzstecker von der Steckdose ziehen.
- Wenn die Anschlussleitung beschädigt ist, muss sie nur vom Hersteller, dem Serviceagent des Herstellers oder einem anderen Fachmann ausgewechselt werden, um Gefahr zu vermeiden.
- Beachten Sie bitte, dass Änderungen der Konstruktion dieses Gerätes zur Folge haben, dass die Garantie und Produkthaftung erlöschen.
- Dieses Gerät soll ausschließlich für medizinische Produkte verwendet werden
- Ist im Gerät Medizin ausgetreten, muss der Abtauwasserkanal sofort gereinigt werden, damit die Medizin nicht in die Umgebung verdampft.

## Inhaltsverzeichnis

- Bei Verlust der Bedienungsanleitung, beschaffen Sie sich von Ihrem Händler bitte Ersatz.
- Wartungsarbeiten sollten ausschließlich von Personen ausgeführt werden, die im Umgang mit medizinischen Geräten geschult sind.

Warnung .....	2
Auspacken des Gerätes .....	4
Lernen Sie ihren Gefrierschrank kennen	5
Technische Daten .....	6
Vor dem Gebrauch .....	6
Inbetriebnahme und Installation. ....	7
Batterie Backup System (BBU) .....	10
Innenausbau.....	11
Betrieb und Funktion .....	12
Durchgangsloch.....	14
Chart Recorder .....	22
Abtauen, Reinigung und Wartung. ....	25
Fehlersuche.....	27
Reklamation und Service.....	28
Entsorgung .....	29

## Auspacken des Gerätes

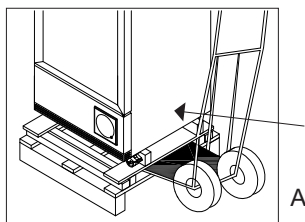


Abb 1

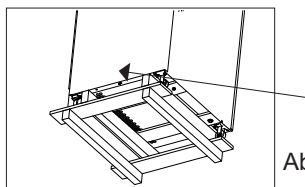


Abb. 2

### Das Gerät darf nicht gelegt werden!

Das das Gerät umgebende Band zerschneiden und entfernen.

Die Kunststoff- und Kartonverpackung entfernen.

Das Gerät von der Seite, mit Hilfe einer Sackkarre ankippen.

Dann kann der untere Holzrahmen entfernt werden.

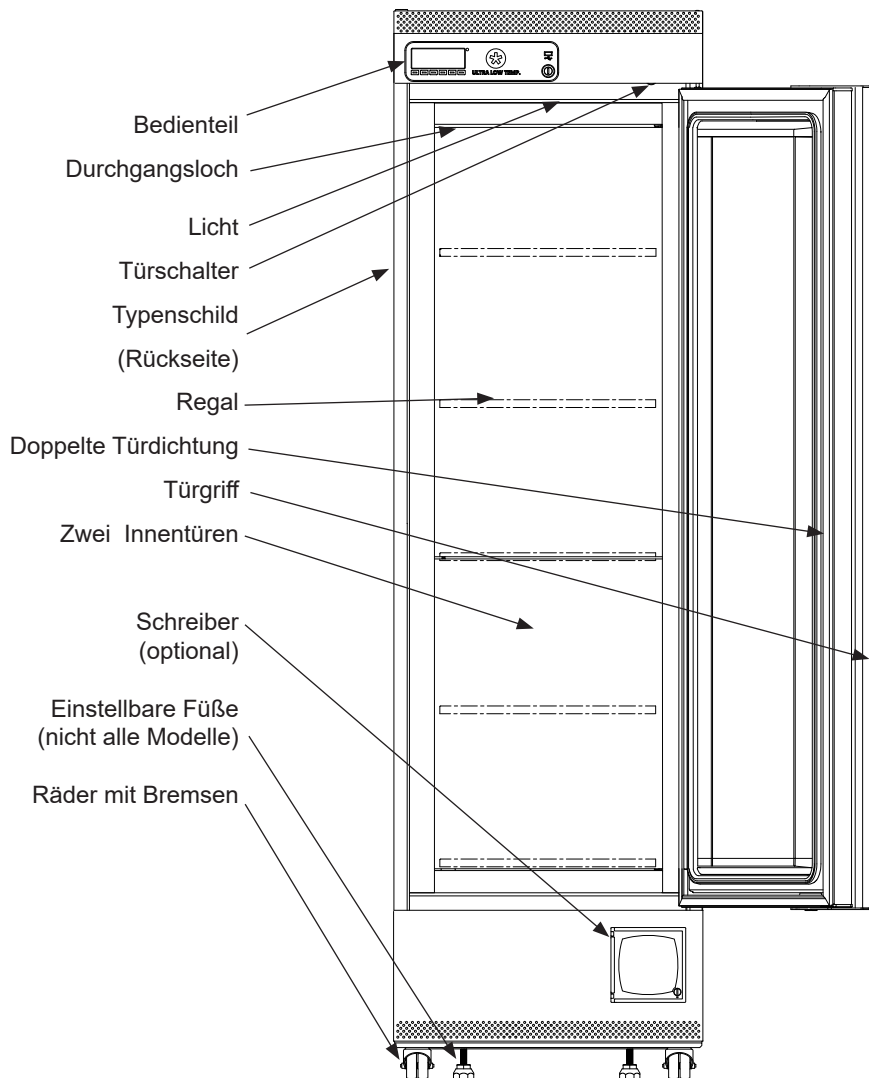
Der Rahmen unter dem Gerät ist angeschraubt.

Die vier Schrauben mit einem Schraubenschlüssel entfernen.

Das Gerät von der Seite (Griffseite), mit Hilfe einer Sackkarre ankippen. Dann kann der Holzrahmen entfernt werden.



# Lernen Sie ihren Gefrierschrank kennen



## Vor Gebrauch bitte beachten

Vor Inbetriebnahme ihres neuen Gerätes lesen Sie bitte die Bedienungsanleitung sorgfältig durch. Sie enthält wichtige Informationen zu Sicherheit, Aufstellung, Betrieb und Wartung.. Bewahren Sie die Anleitung zum späteren Nachschlagen auf.

Nach Erhalt überprüfen Sie ihr Gerät auf Transportschäden. Transportschäden sind dem Händler vor Ort vor Inbetriebnahme zu melden.

Entfernen sie die Verpackung. Die Folie auf den Einlegeböden muss vor Inbetriebnahme bzw. Reinigung entfernt werden.

Reinigen Sie das Innere des Gerätes mit warmen Wasser und einem milden Reinigungsmittel. Mit klarem Wasser nachspülen und sorgfältig trocknen (siehe Pflegehinweise). Verwenden Sie ein weiches Tuch.

Wurde das Gerät liegend transportiert oder in kalter Umgebung gelagert (kälter als +5 ° C ) muss das Gerät in aufrechter Position für mindestens 1 Stunde stabilisiert werden bevor es eingeschaltet wird.

Hinweis: Wenn Sie das Gerät hinlegen muss die Tür nach oben zeigen und das Gerät muss in der Originalverpackung verbleiben.

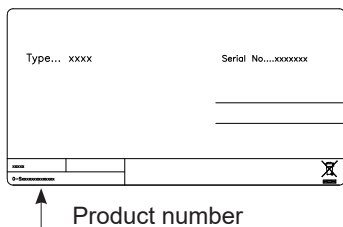


Abb. 1

## Technische Daten

Verkabelung und Anschlüsse in Stromversorgungssystemen müssen allen (örtlichen und nationalen) Elektrovorschriften entsprechen. Machen Sie sich vor dem Einbau mit den Angaben in diesen Vorschriften vertraut

Dieses Gerät entspricht den einschlägigen EU-Richtlinien einschließlich:  
Niederspannungsrichtlinie 2014/35/EU  
Elektromagnetische Kompatibilitätsrichtlinie 2014/30/EU

Die Steckdose muss mit einer 10-A oder 13-A Sicherung abgesichert sein.

Bei Geräten, die in nicht-europäischen Ländern betrieben werden, ist auf dem Typenschild zu überprüfen, ob die angegebene Spannung und Stromart mit den Werten Ihres Stromnetzes übereinstimmt.

### Daten zur Spannung und Leistungsaufnahme / Strom sind auf dem Typenschild.

Das Typenschild, das sich im Gerät befindet, enthält verschiedene technische Angaben sowie Typen- und Seriennummer.

Ein eventuell notwendiger Austausch der Netzanschlussleitung darf nur durch einen Fachmann erfolgen

# Aufstellung und Inbetriebnahme

## Standort

Aus Sicherheits- und Betriebsgründen darf das Gerät nicht Regen ausgesetzt werden. Das Gerät muss auf einem ebenen, festen trockenem Platz in einem gut belüftetem Raum stehen (max. 70% relative Luft- feuchtigkeit).

Niemals das Gerät dicht an Wärmequellen aufstellen oder direkter Sonneneinstrahlung aussetzen..

Die Oberfläche auf die das Gerät gestellt wird muss eben und fest sein. Verwenden Sie keinen Rahmen oder ähnliches.

Das Gerät kann als freistehendes Gerät oder Seite an Seite mit anderen Geräten aufgestellt werden. (siehe Abb.5 auf Seite 7)

## Raumtemperatur

Die Klimaklasse des Gerätes ist im Typenschild angegeben. Die Klimaklasse gibt die optimale Raumtemperatur an.

Bitte beachten: Die optimale Umgebungstemperatur für den Betrieb des Schrankes:

Modell	Optimale Raumtemperatur
VTS 258 -86°C	+16 °C to +20 °C
VTS 256 -60°C	+16 °C to +25 °C
VTS 254 -45°C	+18 °C to +25 °C

## Belüftung

Beachten Sie bei der Aufstellung die angegebenen Mindestabstände für eine sichere und ausreichende Belüftung des Gerätes. Halten Sie Lüftungsöffnungen unbedingt offen um die erforderliche Luftzirkulation zu gewährleisten.

Die untere Abbildung zeigt die notwendigen mindestabstände Abb.2 (Minimum 150 mm hinten)

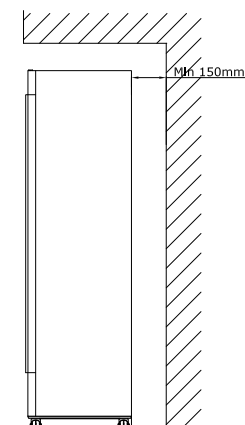
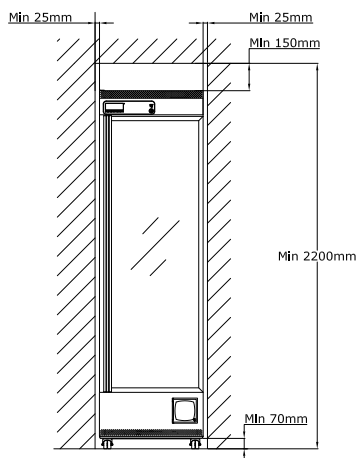


Abb. 2

## Bewegen des Gerätes:

Ziehen Sie die Bremsen an den Rädern nach oben.

Um ein Öffnen der Tür zu vermeiden schließen Sie die Tür ab.

Schieben Sie das Gerät von vorne und drücken Sie dabei auf den Türrahmen. Abb.3

Wenn das Gerät fertig aufgestellt ist, verriegeln Sie alle Räder (jene, die gesperrt werden können) und lassen Sie sie gesperrt bis der Schrank bewegt werden soll.

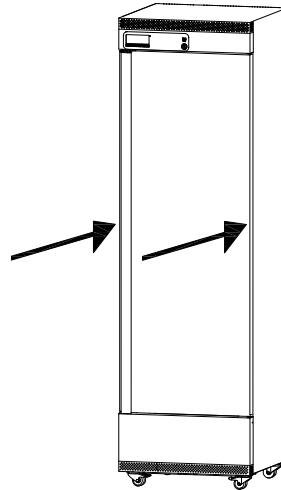


Abb. 3

## Ausrichten des Gerätes

Es ist wichtig dass das Gerät absolut eben steht.

Steht das Gerät auf einem weichen Untergrund, z.B. Dielen oder Teppich, ist es am besten den ebenen Stand des Gerätes nach gewisser Zeit zu kontrollieren, weil der Untergrund unter dem Gewicht des Gerätes nachgeben kann.

Einige Modelle haben einstellbare Füße. (siehe Abb.4)

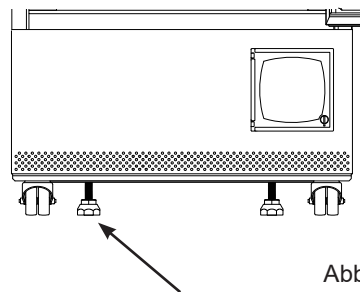


Abb.4

## Seite an Seite Aufbau

Bei Seite an Seite Aufstellung sind die Mindestabstände von 25mm zum nebenstehendem Gerät bzw. zur Wand einzuhalten, damit sich die Türen der Geräte frei öffnen lassen. (Siehe Abb.5)

## Der tägliche Gebrauch

Wegen der sehr niedrigen Temperaturen im Inneren des Gerätes tragen Sie bitte immer Handschuhe

Bitte entfernen Sie immer gründlich aufgetautes Eis/Wasser auf der Vorderseite des Gehäuses bevor Sie die Tür schließen um ein Festfrieren der Türdichtung mit dem Gerät zu verhindern.

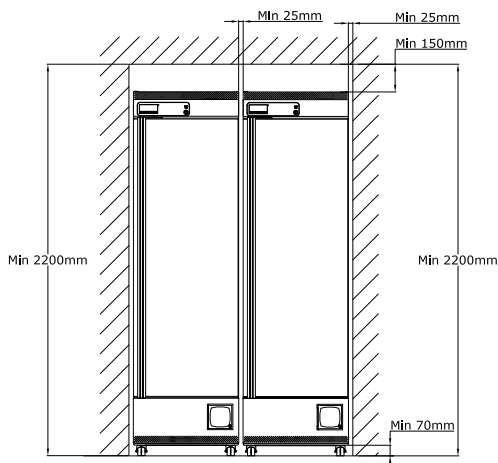


Abb.5

## Installation des Lüftungsschutzes

Schließen Sie die beiden Abstandshalter an der Rückseite des Gerätes um eine ausreichende Luftzirkulation sicherzustellen. Es gibt zwei verschiedene Varianten. (Siehe Abb.6.1 oder 6.2)



abb. 6.1

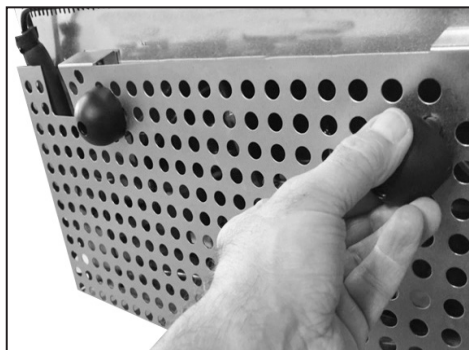


abb. 6.2

## Batterie Backup System (BBU)

Einige Modelle sind mit einem BBU-System ausgerüstet..

Lagerung abgeschaltet.

1. Öffnen Sie die Tür
2. Benutzen Sie einen Stift um durch das Loch das BBU-System einzuschalten (siehe Abb.7)
3. Der Schalter leuchtet wenn er eingeschaltet ist.

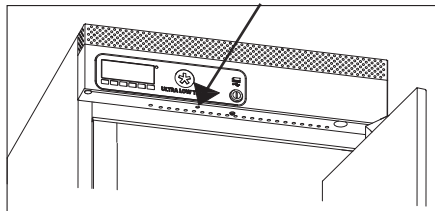


Abb. 7

### Hinweis!

Das BBU-System versorgt nicht das Kühlsystem mit Strom, sondern nur die Anzeige.

Wenn das Gerät das erste Mal eingeschaltet wird ist es erforderlich das BBU- System einzuschalten. Zur Vermeidung von Entladung ist die Batterie während Transport und Lagerung abgeschaltet.

### Hinweis!

Die Pufferbatterie sollte jedes dritte Jahr getauscht werden, damit die Sicherheitsmeldungen über einen Zeitraum von 48 Stunden gewährleistet sind.

Bitte im Wartungsplan aufnehmen.

## Batterie Sicherungssystem BBU

Einige Modelle sind mit einem BBU System ausgestattet. Diese System versorgt den Controller und die Anzeige während eines Netzausfalles mit Strom. Somit ist eine Überwachung der Temperatur im Gerät auch während eines Netzausfalles gesichert.

Das BBU System ermöglicht eine Überwachung der Temperatur von 50 Stunden.

Nach einem Netzausfall und nach dem ersten Einschalten des Gerätes benötigt die Batterie eine Ladezeit von 10 Tagen. (abhängig vom Entladezustand/Netzausfallzeit) um die volle Kapazität zu erreichen.

# Innenausbau

## Regale

Die Regale können in ihrer Position verändert werden. Dazu muss die Tür mindestens 90° geöffnet sein.

1. Entfernen Sie die Regalhaltewinkel aus den Schienen.
2. Setzen Sie die Haltewinkel an die gewünschten Positionen.  
(Siehe Abb.8)

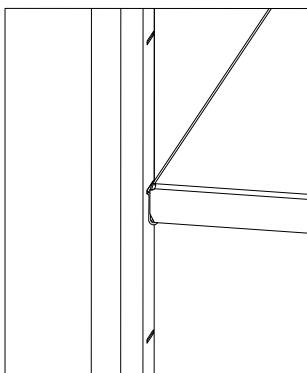
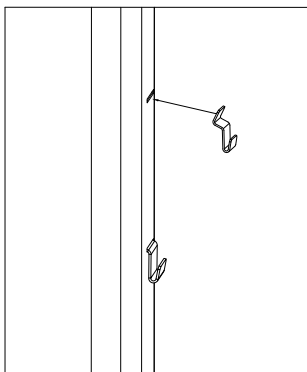
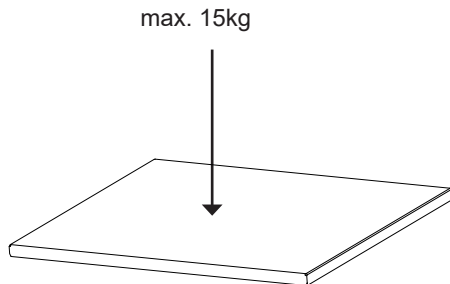


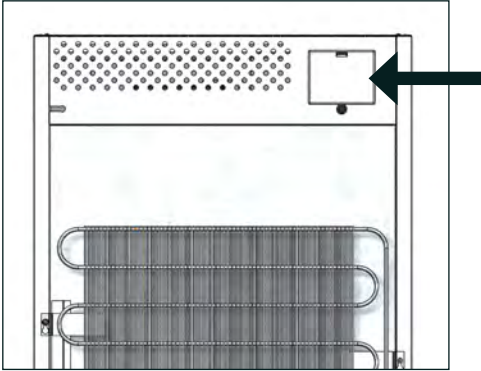
Abb.8

Die Folie auf den Einlegeböden muss vor Inbetriebnahme bzw. Reinigung entfernt werden.

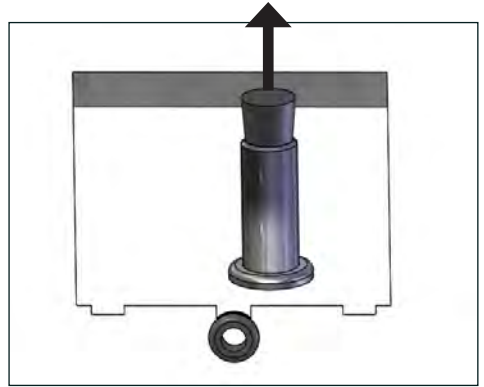


## Zusätzliches Durchgangsloch

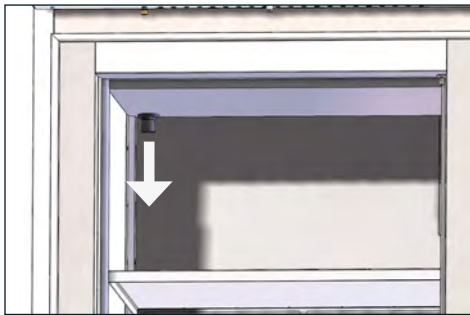
Einige Modelle sind mit einem zusätzlichem Durchgangsloch ausgestattet. Dies ermöglicht z.B. die Anwendung von einem externen Sensor.



1. Öffnen Sie den Servicedeckel an der Rückseite mit einem Schraubendreher.



2. Ziehen Sie den Stöpsel vom Durchführungsrohr.



3. Ziehen Sie auch den Stöpsel vom Durchführungsrohr innen im Gerät.

4. Führen Sie den Sensor durch das Durchführungsrohr
5. und das Sensorkabel durch die Gummidichtung unterhalb des Servicedeckels.
6. Verschließen Sie beide Seiten des Durchführungsrohres mit Kitt.
7. Schließen Sie den Servicedeckel.



# Betrieb und Funktion

## Inbetriebnahme:

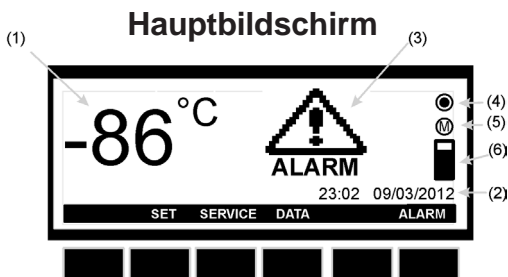
Sobald das Gerät an die Stromversorgung angeschlossen wird startet das Gerät automatisch.



Die Anzeige zeigt die verschiedenen installierten Software an.

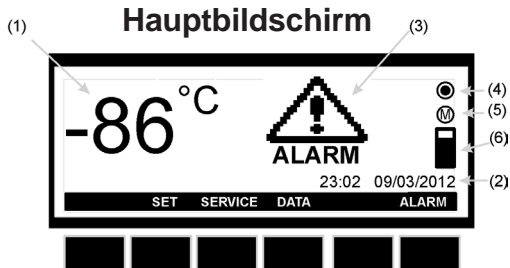
Drücken Sie ENTER um zur Startseite zu gelangen.

## Betrieb-Hauptansicht:



- (1) Temperatur im Gerät (gemessen von Fühler TR3)
- (2) Zeit und Datum
- (3) ALARM Symbol. Blinkt bei Alarm. Generell an wenn ein Alarm vorhanden war, aber z.Z. nicht mehr aktiv ist..
- (4) Protokollierungssymbol: Aus=keine Protokollierung, Ein=Protokollierung.
- (5) Speichersymbol: Ein=Speicher zu 90% gefüllt.  
Blinkt=Speicher voll und die ältesten Daten gehen verloren.
- (6) Speicheranzeige: Zeigt den Status des Speichers.

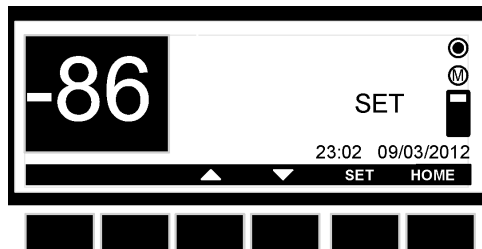
## Tasten – Hauptmenue:



- SET:** öffnet das Temperatur- Sollwert-Menue  
**SERVICE:** öffnet das Service-Menue  
**DATA:** öffnet das Daten-Protokollierungs-Menue  
**ALARM:** öffnet das Alarm-Menue

## Anzeige und Änderung des Temperatur-Sollwertes:

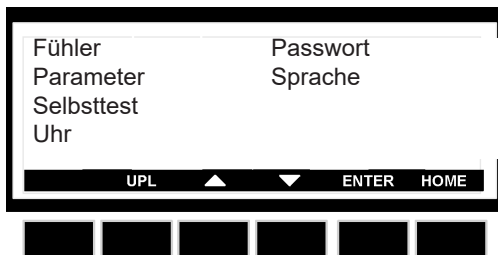
1. kurz die **Set**-Taste drücken, Anzeige zeigt die Sollwerte.
2. Sollwert ändern, **Set**-Taste drücken bis Sollwert blinkt.
3. benutzen Sie die **UP** und **DOWN** Tasten um den Sollwert zu ändern.
4. neuen Sollwert speichern erneut **Set**-Taste drücken oder 30s warten.



## Service Menue:

Im Hauptmenue **SERVICE**-Taste drücken und das Servicemenue wird angezeigt. Siehe Bild unten.

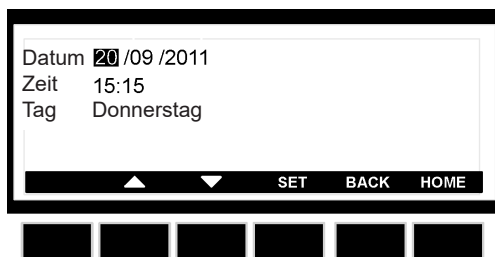
Mit den Tasten **UP** und **DOWN** Menuepunkt wählen und mit **Enter** aufrufen



- Fühler:** die gemessenen Temperaturen werden angezeigt. Bis zu 4 Fühler sind verfügbar, abhängig vom Modell.
- Parameter:** Zeigt die Einstellung der Parameter des jeweiligen ausgewählten Fühlers. Bitte beachten Sie, dass Einstellungen an den Parametern nur von einem Techniker vorgenommen werden sollten. Das Passwort für Pr2 Parameter eingabe ist standardmässig auf 12 gesetzt.
- Selbsttest:** Öffnet das Selbsttestprogramm. Passwordeingabe erforderlich.
- Uhr:** Öffnet das Zeitmenue. Hier ist es möglich Datum und Uhrzeit zu ändern.
- Passwort:** Öffnet das Passwortänderungsmenue.
- Sprache:** Öffnet das Sprachen-Auswahlmenue.

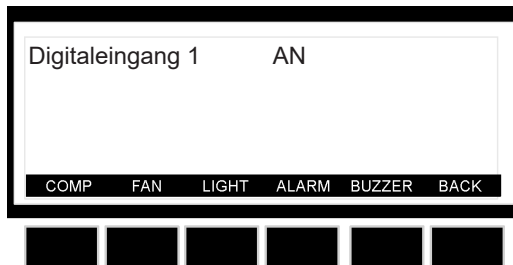
## Ändern von Zeit und Datum:

1. Rufe das Servicemenue auf.
2. Wähle das Clock-Menue aus.
3. Drücke die Enter-Tanste.
4. Wähle mit den UP und Down Tasten die zu ändernden Daten und drücke SET. Die markierte Stelle blinkt und kann nun mit den UP und Down Tasten verändert werden,
5. Zur Bestätigung SET Taste drücken. Der Curser springt weiter zur nächsten Zeile.
6. Benutze die gleiche Reihenfolge zur Änderung der anderen Daten.
7. Verlassen sie das Clock-Menue mit Back oder Home.



## Benutzung des Selbsttest-Menues:

1. Wähle das **SERVICE** Menue
2. Wähle das **Selbsttest-Untermenue** aus.
3. Drücke die **ENTER** Taste.
4. Falls erforderlich Passwort eingeben (standardmäßig auf 12 gesetzt) und Enter und danach **Start** drücken.
6. Drücke die **START** Taste.
7. Drücken Sie für den Test die entsprechende Taste.
  - a. Kompressor b. Licht
  - c. Ventilator
  - d. Alarm e. Summer
8. In der Anzeige ist der Status vom Digitaleingang (Türschalter) zu sehen. (EIN/AUS)
9. Drücken Sie die **Back** Taste oder warten Sie 30s um zum vorherigen Menue zu gelangen.



## Änderung der Sprache:

1. Wähle das **SERVICE** Menue
2. Wähle das Sprach-Untermenue aus.
3. Drücke die **ENTER** Taste.
4. Drücke die **SET** Taste und benutze die **UP und Down** Taste für die Sprachauswahl.  
Zur Bestätigung **SET** drücken.



## Daten Menue:

In der Hauptansicht **Data**-Taste drücken und das Datenmenue wird angezeigt.  
Siehe Bild unten.

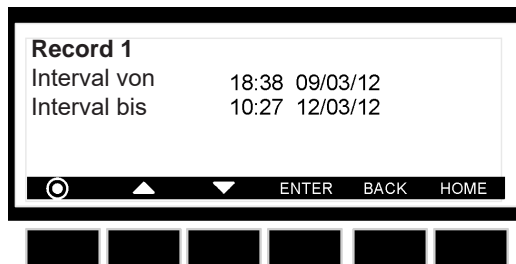


- Speichern:** Anzeige der vom Controller gespeicherten Daten.  
**Export:** Speichert die Daten auf ein USB-Stick.  
**Diagramm:** Graphische Temperaturanzeige der letzten 24 Std. (Speicherintervall 15min).

## Anzeige der Daten im LOG-Menue:

1. Wähle **Daten**-Menue in der Hauptansicht
2. Wähle mit **UP und Down** Tasten LOG-Untermenue
3. Drücke **ENTER** und das **LOG**-Menue wird geöffnet.
4. Mit **UP und DOWN** Taste Datenintervall auswählen.
5. Drücke **ENTER** und die ausgewählten Daten werden gezeigt.

**PS:** Mit der **⊙**Taste Starten bzw. Stoppen Sie das Speichern. (Taste 3sec drücken)



## Anzeige der Daten:

		TR3	EVP	TL1	TL2	ST
19/05/08	11.34	25.4	25.8	-	25.5	C
19/05/08	11.35	25.4	25.8	-	25.5	C
19/05/08	11.36	25.4	25.8	-	25.5	-
19/05/08	11.37	25.4	25.8	-	25.5	D

EXIT

TR3, EVP, TL1, TL2 = Nummer der Fühler.

Bei Fühlerfehler oder kein Fühler vorhanden wird " - " angezeigt. Je nach Modell sind bis zu 4 Fühler möglich.

ST: Zustand des Kontrollers/Last

- - = Betrieb, keine Belastung eingeschaltet.
- D = Abtauung läuft (wenn automatische Enteisung verfügbar ist).
- C = Kompressor arbeitet.

## So exportieren Sie Daten:

1. Wähle **EXPORT**-Menu
2. USB Stick einstecken. (Von Nordic Freeze geliefert).
3. Drücke **ALARM** oder **DATA**, der Controller sendet die Daten zum USB Stick.

Wenn die Übertragung abgeschlossen ist wird **EXPORT -Kopieren ausgeführt** angezeigt.

Die übertragenden Daten werden im CSV-Format (Comma Separated Values) gespeichert. Dieses Format kann z.B. zur weiteren graphischen Darstellung in Excel benutzt werden.

**Warnung: während der Übertragung nicht den USB Stick ziehen. Dies kann Schäden an den Daten und dem USB Stick verursachen.**

**Warnung: lassen Sie den USB Stick nur für die Datenübertragung eingesteckt. Danach bitte ziehen.**

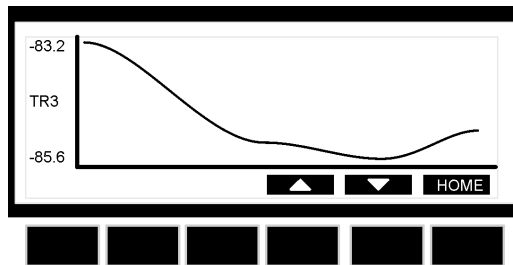
**Warnung: wenn ein nicht kompatibler USB Stick verwendet wird kann dies zu einem Reset des Kontrollers führen.**



## Anzeige des Graphen:

1. Wähle **Daten**-Menue in der Hauptansicht
2. Wähle **DIAGRAMM**-Untermenue
3. Drücke **ENTER** und der Graph wird dargestellt.
4. Mit der **UP and DOWN** Taste wählen sie den Fühler zur Anzeige aus.
5. Drücken Sie **HOME** um ins Hauptmenue zurückzukehren.

**PS: Das Diagramm wird bei Ausschalten gelöscht, alle Daten sind aber abgespeichert.**



## Alarm Menue

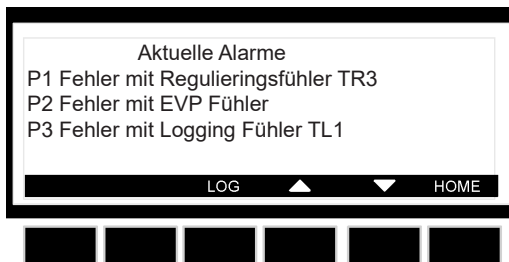
Wenn das **Alarm**-Symbol im Hauptmenue blinkt, ist ein Alarm aktiv.

Wenn das **Alarm**-Symbol nicht blinkt, war ein Alarm aufgetreten, aber nicht mehr aktiv.

Wenn ein Alarm erkannt wird kann der Summer durch Drücken einer beliebigen Taste stummgeschaltet werden.

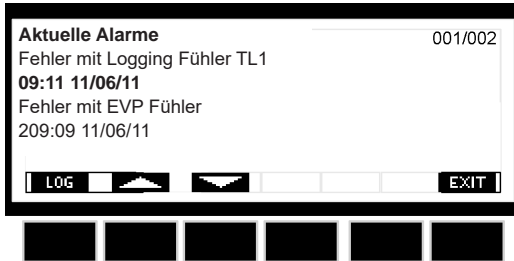
### Aktive Alarme:

1. Push the **ALARM** key to enter the alarm menu.
1. Drücken Sie die **Alarm**-Taste im Hauptmenue.
2. Das Alarm-Menue wird angezeigt und die aktiven Alarme wie folgt dargestellt:
  - a. **Erste Spalte** = Alarmcode
  - b. **Zweite Spalte** = Alarmbeschreibung



3. Drücken Sie die **LOG** Taste um zur Anzeige **AKTUELLE ALARME** zu gelangen. Dieses Menue enthält alle Informationen zu den aktiven Alarmen. In der ersten Zeile wird die Anzahl der vorgekommenen Alarme angezeigt.

4. Mit der **UP und Down** Taste bewegen Sie sich über alle Alarme.



5. Drücke die LOG Taste um ins **Protokollierte Alarme** zu gelangen. Dieses Menue enthält alle gespeicherten Alarme. Für jeden Alarm ist Start und Ende mit Zeit und Datum festgehalten..





"P1"	Fehler Fühler TR3	Alarmausgang EIN; Kompressorausgang abhängig von Parametern Con und CoF
"P2"	EVP Fühlerfehler	Alarmausgang EIN; andere Ausgänge unverändert unchanged
"P3"	Fehler Fühler TL1	Alarmausgang EIN; andere Ausgänge unverändert
"P4"	Fehler Fühler TL2	Alarmausgang EIN; andere Ausgänge unverändert
"HA1"	Temperatur zu hoch Fühler TR3	Alarmausgang EIN; andere Ausgänge unverändert
"LA1"	Temperatur zu niedrig Fühler TR3	Alarmausgang EIN; andere Ausgänge unverändert
"HA3"	Temperatur zu hoch Fühler TL1	Alarmausgang EIN; andere Ausgänge unverändert
"LA3"	Temperatur zu niedrig Fühler TL1	Alarmausgang EIN; andere Ausgänge unverändert
"HA4"	Temperatur zu hoch Fühler TL2	Alarmausgang EIN; andere Ausgänge unverändert
"LA4"	Temperatur zu niedrig Fühler TL2	Alarmausgang EIN; andere Ausgänge unverändert
"dA"	Tür offen Alarm	Kompressor und Ventilator abhängig von "rrd"
"EA"	Externer Alarm	Ausgänge unverändert
"CA"	Schwerer Alarm	Alle Ausgänge AUS.
	"Fehler der Echtzeituhr"	Bitte stellen Sie das Datum und die Zeit. Bitte siehe Seite 15

# Chart Recorder

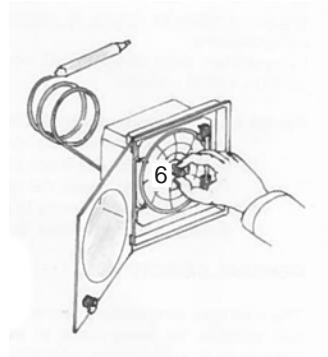
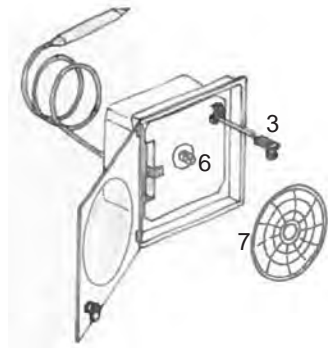
## Bedienungsanleitung

### Wartung:

- Bitte ersetzen Sie regelmäßig das Diagramm und den Schreiber.
- Bitte ersetzen Sie jedes Jahr die Batterie.

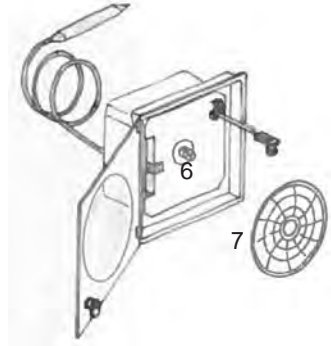
### Putting into operation

1. Öffnen Sie die Tür mit dem Schlüssel.
2. 1B. Heben Sie den Schreiberhalter (3) in aufrechte Position, weg von der Diagrammscheibe (7).
3. Schieben Sie den Diagrammhalter (6) zur Seite und drehen ihn hoch, entnehmen das Diagramm (7).
4. Entfernen Sie den Plastikstreifen um die Batterie zu aktivieren.
5. Legen Sie das Diagramm wieder ein (7), drehen den Diagrammhalter runter (6) und schieben ihn zur Seite um das Diagramm zu halten.
6. Senken Sie den Schreiberhalter vorsichtig ab. (3).
7. Drehen Sie das Diagramm auf die entsprechende Startzeit und notieren Sie das Startdatum auf dem Diagramm, **Es ist ratsam ca. 6 Stunden zu warten um die Linie des Schreibers auf dem Diagramm gut zu sehen.**
8. Entfernen Sie den Schutz an der Schreiberspitze.
9. Schließen Sie die Tür mit dem Schlüssel.



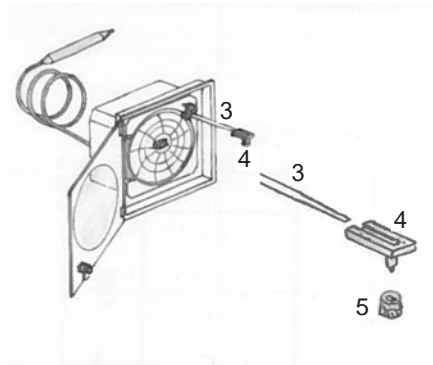
## Auswechseln der Diagrammscheibe

1. Schieben Sie den Diagrammhalter (6) zur Seite und drehen ihn hoch.
2. Entnehmen Sie das Diagramm (7).
3. Neues Diagramm einsetzen.
4. Diagrammhalter herunterdrehen und zur Seite schieben.



## Ersetzen des Schreibers

1. Ziehen Sie den Faserschreiber (4) vorsichtig ab.
2. Schieben Sie den neuen Faserschreiber vorsichtig auf den Schreiberhalter.



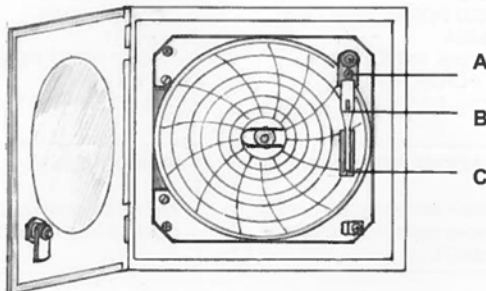
## Funktionskontrolle Schreiberhaltereinstellung

Der Schreiber wird ab Werk kalibriert. Allerdings ist es wichtig zu überprüfen, ob die aufgezeichnete Temperatur noch korrekt ist.

Wir schlagen eine jährliche Kontrolle der Recordereinstellung vor.

Messen Sie die Temperatur mit einem geeichtem Thermometer direkt an der Stelle des eingebautem Temperaturfühlers.

- Ist der Unterschied zwischen der Kontrollmessung mit dem geeichten Thermometer und der Recorderanzeige  $> \pm 2^{\circ}\text{C}$  gehen Sie wie folgt vor.
- Stellen Sie mit der Justierschraube A den Schreiber so ein, dass er die gleiche Temperatur schreibt wie das Thermometer anzeigt.



# Abtauen, Reinigung und Wartung

## Abtauen:

Die gelagerten Waren im Tiefkühl-schrank und die Feuchtigkeit der umgebenden Luft führen allmählich zu Frost und Eis im Gefrierraum. Eine dünne Schicht von Reif oder Eis beeinträchtigt nicht die Leistung des Gefrierschranks, aber je dicker die Schicht wird, desto höher ist der Energieverbrauch.

## Schnelles Abtauen:

Kleine Mengen von losem Eis können mit einem Plastikschaber entfernt werden.

Verwenden Sie niemals elektrische Geräte oder scharfe Gegenstände, da diese das Innere des Gerätes beschädigen.

Um Eisbildung zu vermeiden muss das Gerät regelmäßig abgetaut werden.

Die Eisbildung ist abhängig von der Verwendung des Gerätes. Je mehr Türöffnungen - desto mehr manuelle Abtauung.

Türöffnungen per 24h	Empfohlene monatliche manuelle Abtauung
<5	1-2
<10	2-4
<15	4-6

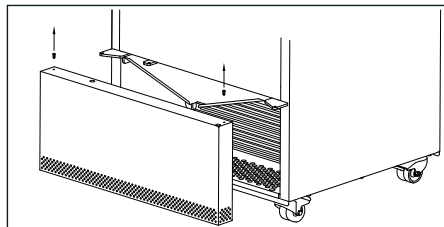


Abb. 9

## Gründliches Abtauen:

Wenn die Schicht aus Eis 4-5mm übersteigt sollte das Gerät vollständig abgetaut werden. Es wird empfohlen das Gerät nur abzutauen wenn es leer ist.

## Vorgehensweise:

1. Stecker ziehen.
2. Entfernen Sie die Blende unter der Tür durch lösen der beiden Schrauben. Verwenden Sie einen 2 mm Inbusschlüssel. Siehe Abb. 9
3. Stellen Sie einen geeigneten Behälter unter den Tauwasserablauf. siehe Abb.10
4. Stellen Sie eine Schüssel mit heißem (nicht kochendem) Wasser in den Schrank, Tür schließen und ca. 30min warten bevor Sie mit einem Kunststoffschaber vorsichtig das lose Eis entfernen.
5. Damit das Tauwasser den Boden nicht beschädigt bitte den Behälter unter dem Tauwasserablauf kontrollieren und rechtzeitig leeren.  
Wenn das Gerät vollständig abgetaut ist, reinigen sie den Innenraum des Gerätes mit Wasser und einem milden, parfümfreien Reinigungsmittel. Trocknen Sie den Gefrierschrank mit einem weichen Tuch.
6. Montieren Sie die Blende und stecken Sie wieder den Stecker ein.
7. Bestücken Sie den Gefrierschrank wieder wenn die gewünschte Temperatur erreicht ist.

## Reinigung und Pflege

Vor der Reinigung Netzstecker ziehen und alle losen Beschläge entfernen.

Das Gerät lässt sich am besten mit warmem Wasser (max. 65°C) und ein bisschen mildem parfümfreien Reinigungsmittel säubern. Verwenden Sie keine scheuernden Reinigungsmittel. Verwenden Sie ein weiches Tuch. Mit klarem Wasser nachspülen und sorgfältig trocknen.

Es ist wichtig, dass kein Wasser in das Bedienfeld läuft.

Die Dichtungsstreifen rund um die Tür müssen regelmäßig gereinigt werden, um Verfärbungen zu verhindern und die Lebensdauer zu verlängern. Verwenden Sie sauberes Wasser. Nach dem Reinigen prüfen ob die Dichtleiste korrekt sitzt und weiterhin eine gute Abdichtung gewährleistet ist.

Es wird empfohlen den Kondensator auf der Rückseite des Gerätes zu reinigen.

Das Lüftungsgitter, der Kondensator, der Kompressor und das Kompressorfach muss auch frei von Staub und Schmutz sein. Reinigen Sie es mit einem Staubsauger regelmäßig. Entfernen Sie die untere Blende unter der Tür durch Lösen der beiden Schrauben (siehe Abb. 9) Wiederholen Sie den Vorgang auf der Rückseite (siehe Abb. 11)

**Bitte beachten:** Wenn das Gerät für längere Zeit nicht eingesetzt wird, schalten Sie es aus. Ziehen Sie den Netzstecker. Entleeren und reinigen Sie den Innenraum und lassen die Tür offen. Die Luftzirkulation verhindert dass Gerüche entstehen.

Batterie für das BBU-System abschalten.

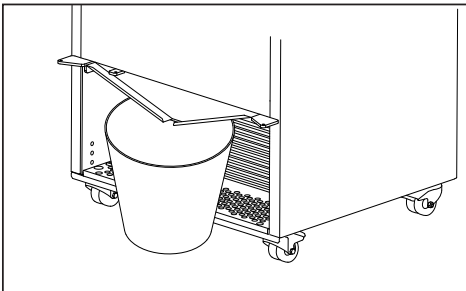


Abb. 10

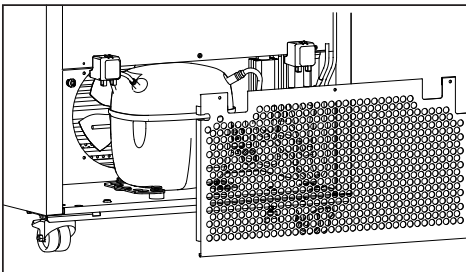


Abb. 11

## Fehlersuche

Fehler	Mögliche Ursache	Abhilfe
Anzeige leuchtet nicht hell	Stromausfall, Sicherung defekt, Gerät nicht richtig eingesteckt	Stromzufuhr prüfen Sicherung einschalten
Temperature im Gefrierfach zu hoch	Das Lüftungsgitter ist blockiert  Die Tür ist nicht richtig geschlossen  Die Menge der eingelagerten Waren ist größer als die Kapazität des Gerätes Dicke Schicht von Frost und Eis Temperatureinstellung zu hoch	Stellen Sie ungehinderte Luftzirkulation sicher  Tür schließen und einige Stunden warten  Warten Sie einige Stunden  Gerät abtauen  Niedrigere Temperatur einstellen
Temperature im Gefrierfach zu niedrig	Temperatureinstellung zu niedrig	Erhöhen Sie die Temperatureinstellung
Vibration oder störende Geräusche	Das Gerät steht nicht eben	Gerät ausrichten. (Bei Modellen mit einstellbaren Füßen Füße einstellen: benutzen Sie eine Wasserwaage)
Kompressor läuft immer	Die Temperatureinstellung ist zu niedrig  Zu hohe Raumtemperatur	Erhöhen Sie die Temperatureinstellung.  Sorgen Sie für ausreichende Belüftung
Display oder Alarmlog zeigt: "Fehler der Echtzeituhr".	Das Datum und die Zeit sind nicht gesetzt.	Bitte stellen Sie das Datum und die Zeit. Bitte siehe Seite 15

## Reklamation, Ersatzteile und Service

Der Lieferant haftet nicht für Fehler oder Schäden, die direkt oder indirekt durch Fehlbedienung, Missbrauch, mangelhafte Wartung, fehlerhaften Einbau, fehlerhafte Aufstellung oder fehlerhaften Anschluss sowie Feuer, Unfall, Blitzschlag, Spannungsänderungen oder andere elektrische Störungen – wie z.B. defekte Sicherungen oder Fehler in der Netzinstallation – sowie von anderen als den von dem Lieferanten vorgeschriebenen

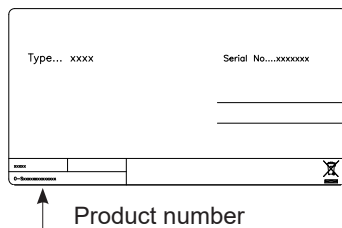
Reparaturbetrieben ausgeführten Reparaturen verursacht wurden, und allgemein nicht für Fehler und Schäden, die der Lieferant nachweislich auf andere Ursachen als Fabrikations- und Materialfehler zurückführen kann. Diese Fehler oder Schäden fallen nicht unter das Reklamationsrecht.

Transportschäden, die der Anwender feststellt, sind primär eine Sache zwischen ihm und dem Händler, d.h. der Händler hat den Anwender zufrieden zu stellen.

Bevor Sie den Kundendienst rufen, prüfen Sie bitte, ob Sie den Fehler selbst beheben können (siehe Fehlersuche). Ist Ihr Hilfeverlangen unberechtigt, beispielsweise weil das Versagen des Geräts auf eine defekte Sicherung oder Fehlbedienung zurück zu führen ist, gehen die Kosten für den Servicebesuch zu Ihren Lasten.

### Ersatzteile

Bitte bei der Ersatzteilbestellung Typ- und Seriennummer sowie Produktnummer angeben. Diese Angaben finden Sie auf dem Typenschild.



Das Typenschild enthält verschiedene technische Angaben, u.a. auch Typ- und Seriennummer. Denken Sie daran! Stets nur autorisierte Handwerker zu beauftragen, wenn ein Teil repariert oder ausgewechselt werden muss!



# Entsorgung

## Benutzerinformation zur Sammlung und Entsorgung von veralteten Geräten und benutzten Batterien.



Diese Symbole auf den Produkten, Verpackungen und/oder Begleitdokumenten bedeuten, dass benutzte elektrische und elektronische Produkte und Batterien nicht in den allgemeinen Hausmüll gegeben werden sollen. Bitte bringen Sie diese alten Produkte und Batterien zur Behandlung, Aufarbeitung bzw. zum Recycling gemäß Ihrer Landesgesetzgebung und den Richtlinien 2002/96/EG und 2006/66/EG zu Ihren zuständigen Sammelpunkten.

Indem Sie diese Produkte und Batterien ordnungsgemäß entsorgen, helfen Sie dabei, wertvolle Ressourcen zu schützen und eventuelle negative Auswirkungen auf die menschliche Gesundheit und die Umwelt zu vermeiden, die anderenfalls durch eine unsachgemäße Abfallbehandlung auftreten können.

Wenn Sie ausführlichere Informationen zur Sammlung und zum Recycling alter Produkte und Batterien wünschen, wenden Sie sich bitte an Ihre örtlichen Verwaltungsbehörden, Ihren Abfallentsorgungsdienstleister oder an die Verkaufseinrichtung, in der Sie die Gegenstände gekauft haben.

Gemäß Landesvorschriften können wegen nicht ordnungsgemäßer Entsorgung dieses Abfalls Strafgerichte verhängt werden.



## Für geschäftliche Nutzer in der Europäischen Union.

Wenn Sie elektrische oder elektronische Geräte entsorgen möchten, wenden Sie sich wegen genauerer Informationen bitte an Ihren Händler oder Lieferanten.

## Informationen zur Entsorgung in Ländern außerhalb der Europäischen Union

Diese Symbole gelten nur innerhalb der Europäischen Union. Bitte treten Sie mit Ihrer Gemeindeverwaltung oder Ihrem Händler in Kontakt, wenn Sie dieses Produkt entsorgen möchten, und fragen Sie nach einer Entsorgungsmöglichkeit.



## Hinweis zum Batteriesymbol :

Dieses Symbol kann in Kombination mit einem chemischen Symbol verwendet werden. In diesem Fall erfüllt es die Anforderungen derjenigen Richtlinie, die für die betreffende Chemikalie erlassen wurde.

### Wichtiger Hinweis:

Vor der Entsorgung des Gerätes muss unbedingt die Tür abgebaut werden.

Dies ist wichtig um Unfälle von Kindern mit dem Gerät zu verhindern. Eine geschlossene Tür lässt sich nicht von innen öffnen.

## Avertissement

Puisque l'appareil contient un réfrigérant Inflammable, il est essentiel de s'assurer que les conduits du fluide réfrigérant ne sont pas endommagés.

**La quantité et le type de réfrigérant utilisée dans votre appareil est indiquée sur la plaque signalétique.**

La norme EN378 précise que la pièce dans laquelle vous installez votre appareil doit posséder un volume de 1 m<sup>3</sup> par 8 g de réfrigérant avec des hydrocarbures utilisés dans l'appareil afin d'éviter la formation de mélanges gaz/air inflammable dans la pièce où l'appareil est installé dans le cas où il y aurait une fuite dans le circuit réfrigérant.

### **AVERTISSEMENT:**

Gardez les orifices de ventilation, situés sur la carrosserie de l'appareil ou autour de l'appareil, libres de toute obstruction

### **AVERTISSEMENT:**

Ne pas utiliser d'appareils mécaniques ou autres moyens pour accélérer la décongélation sauf

ce qui est recommandé par le fabricant.

### **AVERTISSEMENT:**

Ne pas endommager le système de réfrigération.

### **AVERTISSEMENT:**

Ne pas utiliser d'appareils électriques à l'intérieur du compartiment de stockage sauf s'ils sont recommandés par le fabricant.

### **AVERTISSEMENT:**

Pour des raisons de sécurité et d'exploitation, l'appareil ne doit pas être exposé directement à la pluie et ne doit pas être aspergé lorsque le sol est nettoyé

### **AVERTISSEMENT:**

L'utilisation de cet appareil par des personnes (y compris les enfants) présentant des capacités physiques, sensorielles ou psychiques restreintes, ou ne détenant pas les connaissances voulues, devra se dérouler sous surveillance ou après leur avoir fourni des instructions détaillées. L'appareil n'est pas un jouet, éloignez les enfants.

**AVERTISSEMENT:**

Ne pas entreposer des explosifs, tels que les aérosols avec propulseurs inflammables dans l'appareil.

**AVERTISSEMENT:**

Danger – risque d'incendie ou d'explosion si réfrigérant inflammable utilisé. L'appareil doit seulement être réparé par un personnel qualifié.

**AVERTISSEMENT:**

**Si une clé USB non compatible est utilisée, elle peut forcer une réinitialisation du contrôleur.**

**AVERTISSEMENT:**

les bords peuvent être coupants au niveau de l'encadrement de l'armoire, du compartiment du compresseur, de l'évaporateur, du couvercle de la ventilation et sur l'équipement interne.

**AVERTISSEMENT:**

La surface du condensateur si-

tué au dos de l'armoire peut être chaude. Merci de faire attention afin d'éviter toute blessure.

- Si l'appareil est équipé d'une serrure : rangez la clé hors de portée des enfants..
- Avant de faire l'entretien ou le nettoyage de l'appareil, débranchez-le de son alimentation.
- Si le câble d'alimentation est endommagé, il doit être remplacé par le fabricant, des représentants ou des professionnels agréés afin d'éviter les dangers.
- Si le câble d'alimentation est endommagé, il doit être remplacé par le fabricant, des représentants ou des professionnels agréés afin d'éviter les dangers.
- Prenez note que toute modification de l'appareil annulera toutes les garanties et la responsabilité du fabricant.
- Ce dispositif est destiné uniquement à être utilisé pour des produits médicaux

## Sommaire

- Si des médicaments sont renversés à l'intérieur de l'armoire, le canal de dégivrage doit être nettoyé immédiatement pour éviter que la substance médicamenteuse s'évapore dans l'air ambiant
- Si vous perdez la notice d'utilisation, merci de contacter votre fournisseur afin d'obtenir une nouvelle notice d'utilisation
- Si vous devez entretenir l'armoire médicale, merci de vous adresser à un service compétent spécialisé dans l'entretien des armoires médicales.

Avertissement.....	2
Déballage de l'appareil.....	4
Basse température - congélateur.....	5
Avant la mise en service.....	6
Caracteristiques techniques.....	6
Mise en service et installation.....	7
Système de batterie desecours au démarrage .....	10
Ajustement intérieur.....	11
Mise en service et fonctions.....	12
Connecteur.....	12
Enregistrement de température réelle..	15
L'enregistreur à diagramme.....	22
Dégivrage, nettoyage et maintenance..	25
Localisation des anomalies .....	27
Garantie, et service après-vente.. .....	28
Mise au rebut.....	29

## Déballage de l'appareil

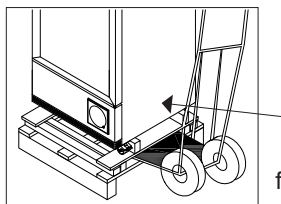


fig. 1

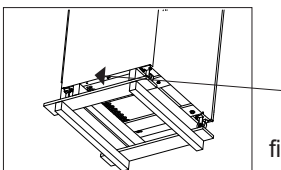


fig. 2

### Ne couchez pas l'appareil.

Coupez la bande ceinturant l'appareil et enlevez-la.

Retirez le matériel d'emballage en plastique et en carton.

Basculez l'appareil vers le côté à l'aide d'un diable.

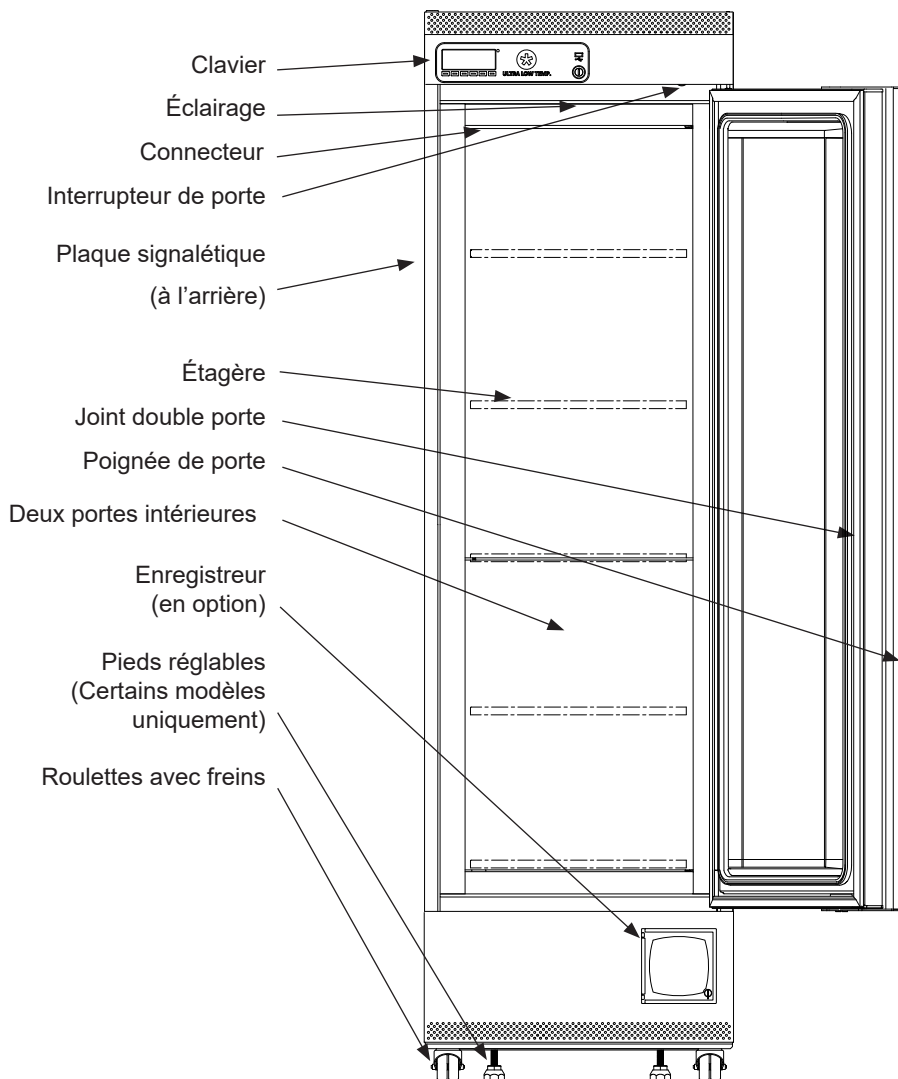
Le cadre inférieur en bois peut être enlevé.

Le cadre inférieur en bois est boulonné sous l'appareil.

Retirez les 4 boulons à l'aide d'une clé.

Basculez l'appareil vers du côté ( côté poignée) à l'aide d'un diable. Le cadre en bois peut être enlevé.

## Basse température - congélateur



## Avant la mise en service

Avant de mettre en service votre nouvel appareil, veuillez lire attentivement les instructions suivantes : elles renferment des informations importantes concernant la sécurité, l'installation, le fonctionnement et l'entretien. Conserver ce mode d'emploi en lieu sûr : vous pourrez en avoir besoin ultérieurement.

À réception, contrôler que l'appareil n'est pas endommagé. Les dommages dûs au transport doivent être notifiés à votre fournisseur avant toute utilisation de votre réfrigérateur.

Enlever l'emballage. Nettoyer l'intérieur de l'appareil à l'eau tiède additionnée de produit à vaisselle non-agressif. Rincer à l'eau claire et essuyer à fond. Utiliser un chiffon doux.

Si pendant le transport, l'appareil a été couché ou s'il a été stocké dans un environnement froid (température inférieure à +5 °C), il doit être placé en position verticale et rester ainsi au moins une heure avant d'être mis en service.

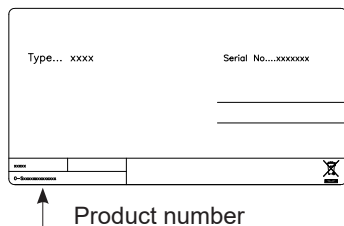


Fig 1

## Caracteristiques techniques

Le câblage et les raccordements électriques des systèmes d'alimentation électrique doivent respecter les normes électriques (locales et nationales) en vigueur. Consultez ces normes avant toute installation de l'appareil.

Ce dispositif est conforme aux directives de l'U.E. le concernant, y compris la Directive 2014/35/EU sur la Basse Tension et la Directive 2014/30/EU sur la Compatibilité Electromagnétique.

La prise de courant doit rester facilement accessible. Brancher la fiche mâle de l'appareil dans une prise secteur en 220/240 V / 50Hz réglementairement reliée à la terre. La prise doit être protégée par un fusible/disjoncteur supportant de 10 A ou 13A

Sur les appareils destinés aux pays non européens, vérifiez si la tension de branchement et le type de courant spécifiés sur la plaque signalétique concordent bien avec ceux offerts par le secteur du pays concerné.

**Les données relatives à la tension et la puissance absorbée / courant sont indiquées sur la plaque signalétique.**

Si un changement de cordon d'alimentation électrique s'impose, cette opération est réservée à un spécialiste.

La plaque signalétique fournit diverses informations techniques ainsi que les numéros de type et de série.

N'utilisez en aucun cas des rallonges de câble.

## Mise en service et installation

Pour des raisons de sécurité et de fonctionnement, l'appareil ne doit pas être placé à l'extérieur.

Placer l'appareil sur une surface plane et horizontale, dans un local sec et bien ventilé (max. 70 % d'hygrométrie relative). Eviter d'exposer l'appareil directement au soleil ou à toute source de chaleur.

L'appareil peut être placé seul contre un mur et côte à côte avec d'autres armoires (fig. 5 voir p. 7).

La surface sur laquelle l'appareil est placé doit être plane et horizontale. Ne pas utiliser de cadre ou autre.

### Température ambiante

La classe climatique est indiquée sur la plaque signalétique. Elle indique dans quelle plage de température ambiante le réfrigérateur fonctionne de façon optimale.

L'appareil fonctionne mieux à température:

Classe climatique	Température ambiante autorisée
VT 258 -86°C	+16 °C à +20 °C
VT 256 -60°C	+16 °C à +25 °C
VTS 254 -45°C	+18 °C to +25 °C

### Installation

La surface sur laquelle l'appareil est placé doit être plane et horizontale. Ne pas utiliser de cadre ou autre.

L'appareil peut être installé comme unité indépendante le long d'un mur, être encastré dans un élément de cuisine, ou placé côte à côte avec d'autres appareils . Fig. 2 (Minimum de 150 mm à l'arrière)

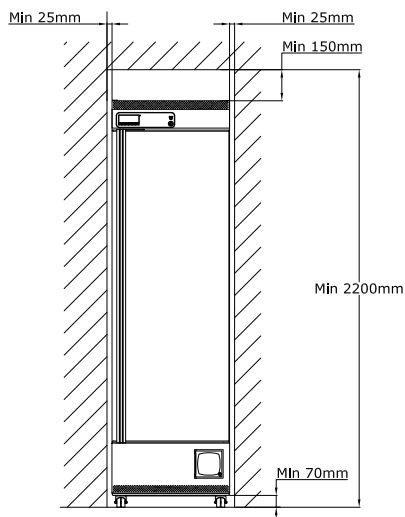


Fig 2

## Déplacement de l'appareil

Déverrouillez roulettes sur toutes les roues. Avant de déplacer l'appareil, veillez à fermer et verrouiller la porte. Déplacer l'unité comme montré ci-dessus. Fig 3

Lorsque l'appareil est installé, verrouillez toutes les roues (celles qui peuvent être verrouillées) et laissez-les être verrouillées jusqu'à ce que l'armoire doit être déplacé.

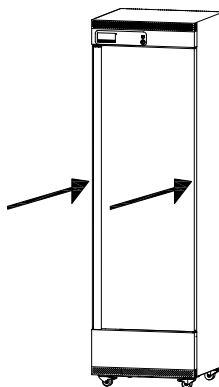


Fig 3

## Mise à niveau de l'appareil

Il est important que l'appareil soit parfaitement à niveau.

Si l'appareil est placé sur une surface douce par ex. parquets ou tapis, vous devez vérifier si l'appareil est toujours à niveau après un certain temps, car la surface peut s'enfoncer sous le poids de l'appareil.

Certains modèles possèdent des pieds réglables.  
(Voir fig. 4)

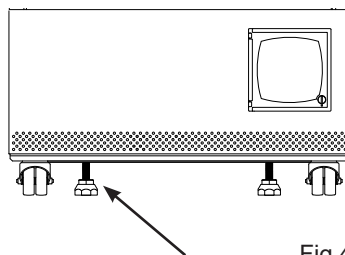


Fig 4



## Côte à côte

Dans arrangement côte-à-côté, il doit y avoir au moins 25 mm entre et sur les côtés des armoires, de sorte que les portes peuvent être ouvertes librement (voir fig. 5)

## Usage quotidien

Toujours portez des gants à cause des températures très basses à l'intérieur de l'appareil.

Toujours enlevez soigneusement la glace décongelée/l'eau sur le devant de l'appareil avant de fermer les portes afin d'empêcher que le joint d'étanchéité gèle ensemble la porte et le cabinet.

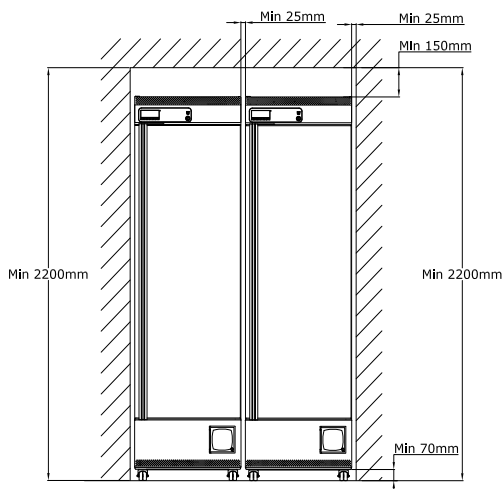


Fig 5

## Installation des gardes de ventilation

Fermez les deux gardes de ventilation à l'arrière de l'appareil pour assurer une circulation d'air suffisante

Il existe deux variantes différentes.  
Figure 6.1 ou 6.2



fig. 6.1

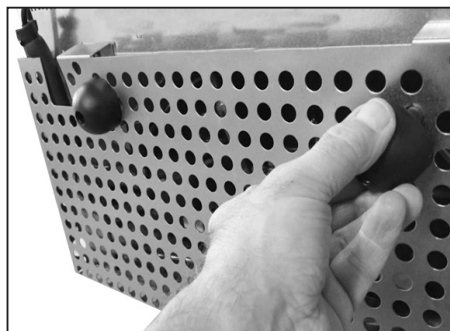


fig. 6.2

## Système de batterie de secours au démarrage

Certains modèles sont munis d'un système de batterie de secours.

1. Ouvrez la porte.
2. Utiliser un stylo pour activer le système de batterie de secours par le trou montré à la fig. 7
3. L'interrupteur s'allume en vert quand l'appareil est sous tension.

### REMARQUE!

Le système de batterie de secours n'alimente pas le système de refroidissement.

Lors du premier démarrage de l'appareil, il est nécessaire d'activer le système de batterie de secours.

**REMARQUE :** La batterie de secours devrait être remplacée toutes les trois années pour assurer 48 heures de secours. Veuillez ajouter cette activité aux trois années dans le calendrier de maintenance.

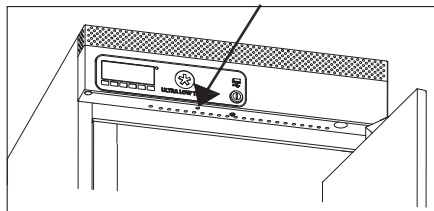


fig. 7

## Système de batterie de secours

Certains modèles sont munis d'un système de batterie de secours. Le système alimente le contrôleur et le clavier en cas de faute de l'alimentation principale. Ceci rend possible le suivi des températures dans l'appareil pendant une panne de courant.

Le système de batterie de secours permet de suivre les températures pendant 50 heures. Après une panne de courant et au premier démarrage, la batterie doit être rechargée. Pour retrouver sa pleine capacité, la batterie se rechargera pendant 10 jours.

# Ajustement intérieur

## Les étagères

Les étagères peuvent être déplacées. Pour les déplacer, la porte doit être ouverte au moins 90 °

1. Retirez le support d'étagère de la glissière d'étagère.
2. Fixez le support de nouveau à la hauteur désirée. (voir fig. 8)

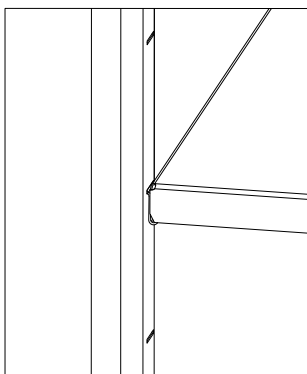
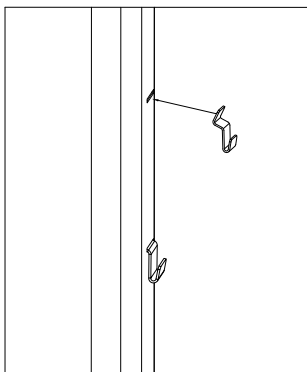
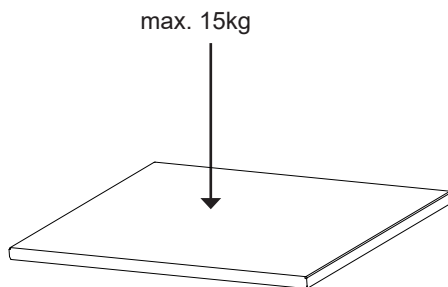


fig. 8

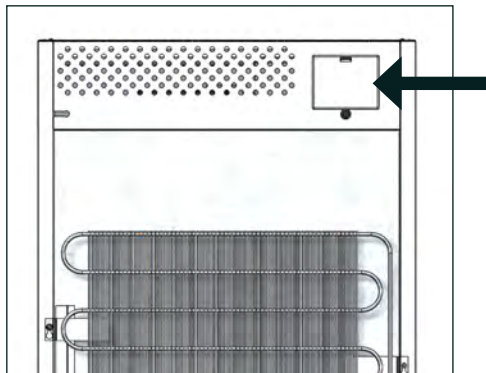
Le film sur les étagères doit être retiré avant le nettoyage et l'utilisation.



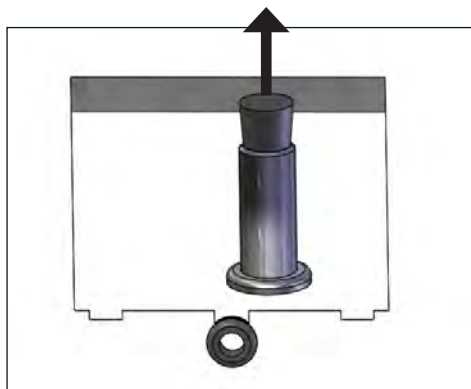
## Connecteur

Certains modèles sont munis d'un connecteur supplémentaire.

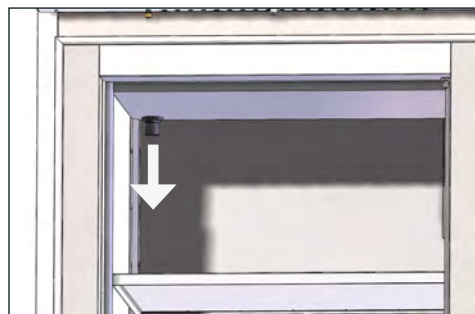
Par ex. pour l'utilisation d'un capteur externe.



1. Ouvrez le panneau de service du haut de l'arrière. Utilisez un tournevis.



2. Retirez le bouchon du tube du connecteur.



3. Retirez le bouchon du connecteur à l'intérieur du congélateur

4. Insérez le capteur dans le connecteur.

5. Placez le câble du capteur dans la douille dans le panneau de service.

6. Obturez le tube avec du mastic – à l'intérieur et l'extérieur.

7. Fermez le panneau de service.

# Mise en service et fonctions

## Démarrage:

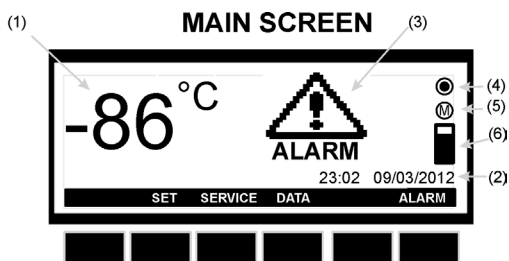
Quand l'appareil est raccordé à l'alimentation, le clavier démarrera automatiquement.



L'écran de démarrage du clavier montrera les différents logiciels installés dans le contrôleur de l'appareil.

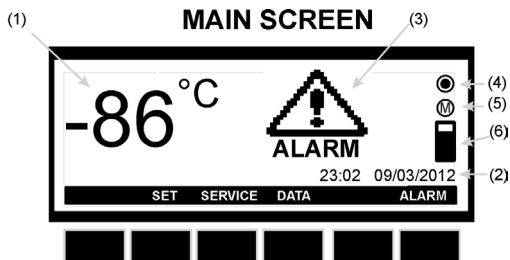
Appuyez sur enter [valider] pour sortir de l'écran de démarrage.

## Opération – écran principal :



- (1) Température actuelle dans l'appareil (mesurée par la sonde TR3).
- (2) Heure et date.
- (3) Icône d'ALARME. Clignotant par alarme. Demeure visible après sans alarme jusqu'au réarmement manuel.
- (4) Icône de journal. Visible lors d'écriture dans le journal. Non visible s'il n'y a pas de journal actif.
- (5) Icône de mémoire. S'allume quand la mémoire est pleine à 90 %. Clignote quand la mémoire est pleine et que le contrôleur détruit les plus vieilles données enregistrées.
- (6) Barre de mémoire. Montre l'état de la mémoire.

## Clés – écran principal :



**SET [RÉGLAGE]:** Accédez au menu du point de consigne de la température

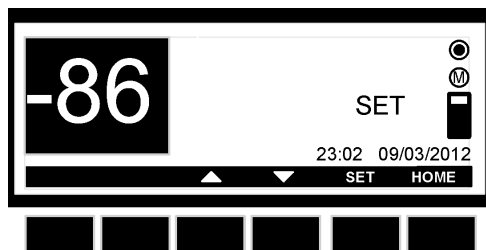
**SERVICE:** Accédez au menu de service

**DONNÉES :** Accédez au menu de consignation des données

**ALARME :** Accédez au menu d'alarme

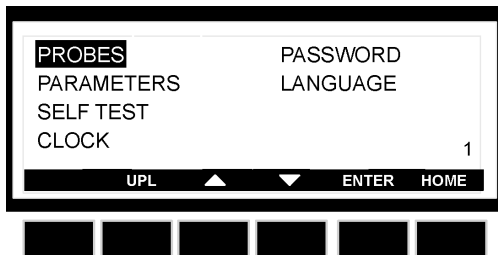
## Comment voir et modifier le point de consigne de la température :

1. Appuyer et relâcher immédiatement la touche **SET (RÉGLAGE)** : L'écran affichera la valeur du point de consigne.
2. Pour changer la valeur, appuyez sur la clé **SET [RÉGLAGE]** et le point de consigne commence à clignoter.
3. Utilisez les touches **UP [HAUSSE]** et **DOWN [BAISSE]** pour modifier la valeur.
4. Pour garder en mémoire la nouvelle valeur du point de consigne, appuyez sur la touche **SET [RÉGLAGE]** une autre fois ou attendez 30 secondes.



## Menu service :

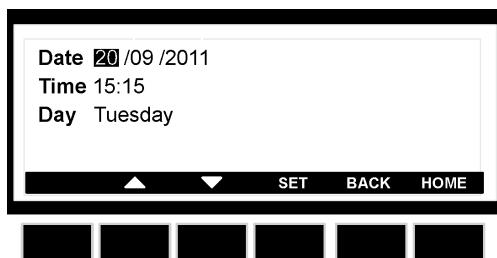
Sur l'écran principal, appuyez sur la touche **SERVICE** et vous accédez au menu SERVICE. Voir l'image plus bas :



- SONDES :** Accédez aux sondes pour voir les températures mesurées. Selon le modèle, 1-4 sondes sont disponibles.
- PARAMÈTRES :** Accédez aux réglages des paramètres. Veuillez noter que les changements des paramètres ne devraient être effectués que par un technicien. Le code pour accéder aux paramètres Pr2 est fixé de façon standard à 12.
- AUTOTEST :** Accédez au programme d'autotest du contrôleur.
- HORLOGE :** Accédez au menu de l'horloge où il est possible de modifier la date et l'heure.
- MOT DE PASSE :** Accédez au menu du mot de passe où il est possible de changer le mot de passe.
- LANGUE :** Accédez au menu langue où il est possible de changer la langue.

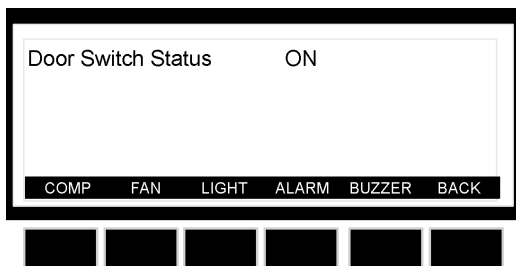
## Comment régler l'heure et la date :

1. Accédez au menu de **SERVICE**.
2. Sélectionnez le sous-menu **CLOCK** [HORLOGE].
3. Appuyez sur la touche **ENTER** [VALIDER].
4. Réglez le jour au moyen des touches **UP** [HAUSSE] et **DOWN** [BAISSE].
5. Appuyez sur la touche **SET** [RÉGLAGE] pour confirmer et passez au réglage de l'heure.
6. Utilisez la même procédure que pour la date.
7. Puis confirmez la sélection en appuyant sur la touche **SET** [RÉGLAGE].



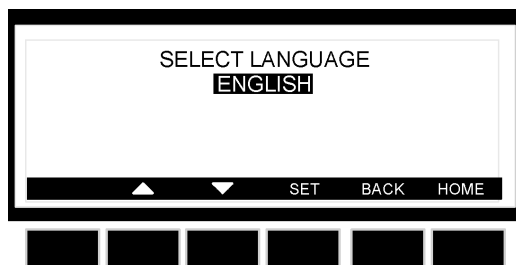
## Comment utiliser l'autotest :

1. Accédez au menu de **SERVICE**
2. Sélectionnez le sous-menu **SELF TEST [AUTOTEST]**
3. Appuyez sur la touche **ENTER [VALIDER]**
4. Si **PASSWORD [MOT DE PASSE]** est requis, entrez le mot de passe,
5. **AUTREMENT** on accède directement au menu **SELF TEST [AUTOTEST]**.
6. Appuyez sur la touche **START [DÉMARRAGE]**
7. Puis, appuyez sur les touches pour activer les charges correspondantes :
  - a. Compresseur
  - b. Éclairage
  - c. Ventilateur
  - d. Alarme
  - e. Avertisseur
8. L'écran montre l'état de l'entrée numérique (**ON [ACTIVÉE]** ou **OFF [DÉSACTIVÉE]**)
9. Attendez 30 sec. ou appuyez sur la touche **BACK [RETOUR]** pour revenir à l'écran précédent.



## Comment changer la langue :

1. Accédez au menu de **SERVICE**.
2. Sélectionnez le sous-menu **LANGUAGE [LANGUE]**.
3. Appuyez sur la touche **ENTER [VALIDER]** et vous accédez au menu **LANGUAGE [LANGUE]**.
4. Appuyez sur la touche **SET [RÉGLAGE]** et les touches **UP [HAUSSE]** et **DOWN [BAISSE]** pour choisir la langue puis appuyez à nouveau sur la touche **SET [RÉGLAGE]** pour confirmer.





## Menu données :

Dans l'écran principal, appuyez sur la touche **DATA [DONNÉES]** pour accéder au menu DATA [DONNÉES].

Voir l'image plus bas :



**JOURNAL :** Accédez aux données enregistrées par le contrôleur.

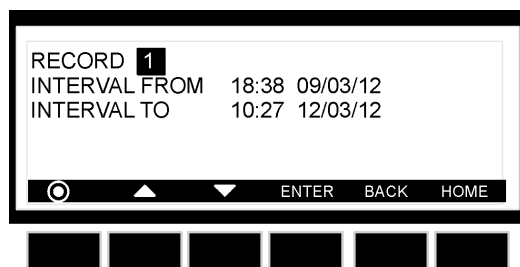
**EXPORTER :** Exportez les données vers la clé USB fournie avec l'appareil.

**GRAPHIQUE :** Accédez au graphique montrant la température enregistrée pendant les dernières 24 heures (avec un intervalle de 15 min.)

## Comment accéder au journal :

1. Accédez au menu **DATA [DONNÉES]**.
2. Sélectionnez le sous-menu **LOG [JOURNAL]**.
3. Pour accéder au menu **LOG [JOURNAL]**, appuyez sur la touche **ENTER [VALIDER]**.
4. En utilisant les touches **UP [HAUSSE]** et **DOWN [BAISSE]** choisissez l'intervalle de données à afficher.
5. Appuyez sur la touche **ENTER [VALIDER]** pour afficher les données choisies.

**REMARQUE : LA TOUCHE  : EST UTILISÉE POUR DÉMARRER ET ARRÊTER L'ENREGISTREMENT**



Les données enregistrées auront cette disposition :

		TR3	EVP	TL1	TL2	ST
19/05/08	11.34	25.4	25.8	-	25.5	C
19/05/08	11.35	25.4	25.8	-	25.5	C
19/05/08	11.36	25.4	25.8	-	25.5	-
19/05/08	11.37	25.4	25.8	-	25.5	D

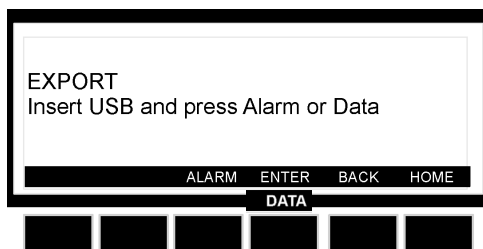
EXIT

TR3, EVP, TL1, TL2 = valeur des sondes.

Si défaut ou absence de sonde : Le symbole "-" est affiché. Veuillez noter que selon le modèle, 1-4 sondes sont disponibles.

ST: état du contrôleur/charge

- - = opération sans charge activée;
- D = dégivrage en fonction (si dégivrage automatique est disponible)
- C = compresseur en fonction



## Comment exporter des données :

1. Accédez au menu **EXPORT [EXPORTER]**.
2. Insérez la clé USB fournie par **Nordic Freeze**.
3. Sélectionnez **ALARM [ALARME]** ou **DATA [DONNÉES]** et le contrôleur commence à transmettre les données à la clé USB, à la fin du transfert, le message suivant est affiché : **EXPORT [EXPORTER] - Copy completed [Copie terminée]**.

Les données sont exportées comme fichier CSV (valeurs séparées par virgules). Ce fichier peut être utilisé par exemple par Excel pour construire des graphiques.

**IMPORTANT : Pendant le téléchargement, ne retirez pas la clé USB, cela pourrait endommager les fichiers de données et la clé USB elle-même.**

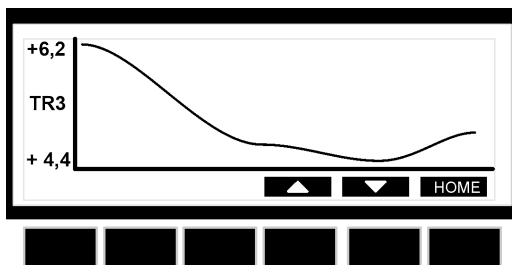
**AVERTISSEMENT : laissez la clé USB en place uniquement pendant le temps nécessaire pour exporter les données, puis retirez-la.**

**AVERTISSEMENT : Si une clé USB non compatible est utilisée, elle peut forcer une réinitialisation du contrôleur.**

## Comment accéder aux graphiques:

1. Accédez au menu DATA [DONNÉES].
2. Sélectionnez le sous-menu GRAPH [GRAPHIQUE].
3. Appuyez sur la touche ENTER [VALIDER] et vous accédez au menu GRAPH [GRAPHIQUE].
4. Au moyen des touches UP [HAUSSE] et DOWN [BAISSE], choisissez la sonde dont les valeurs doivent être affichées.
5. Appuyez sur la touche HOME pour retourner à l'écran principal.

**REMARQUE :** Un graphique s'efface quand l'alimentation du contrôleur est coupée.



## Menu alarme :

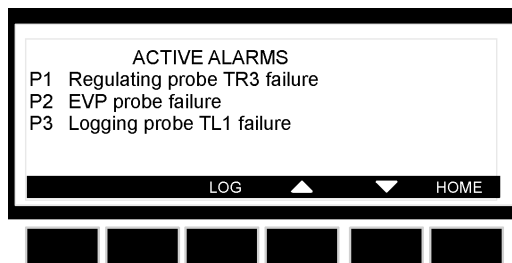
Si l'icône d'alarme **clignote** à l'écran principal, il y a une alarme en cours.

Si l'icône d'alarme **est visible sur l'écran principal, mais ne clignote pas**, une alarme est apparue et elle a été récupérée.

Une fois une alarme détectée, l'avertisseur peut être réduit au silence en appuyant sur n'importe quelle touche.

## Alarmes actives :

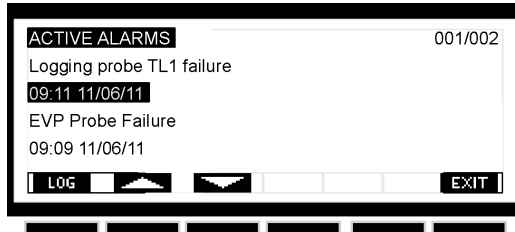
1. Pour accéder au menu alarme, appuyez sur la touche **ALARM [ALARME]**.
2. Le menu alarme affiche l'alarme active avec la disposition suivante :
  - a. **Première colonne** = code d'alarme
  - b. **Deuxième colonne** = description d'alarme



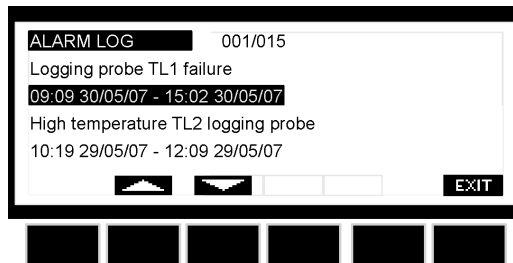
3. Appuyez sur la **touche LOG [JOURNAL]** pour accéder à **ACTIVE ALARM LOG [JOURNAL D'ALARME ACTIVES]**.

Ce menu contient toutes les informations à propos des alarmes actives. La première ligne montre combien d'alarmes sont présentes.

4. Il est possible de se déplacer d'une alarme à l'autre par les touches UP [HAUSSE] et DOWN [BAISSE].



5. Appuyez sur la touche **LOG [JOURNAL]** pour accéder au **ALARM LOG [JOURNAL DES ALARMES]**. Ce menu contient toutes les alarmes mémorisées. Pour chaque alarme, l'heure et la date du début et de la fin sont enregistrées.



“P1”	Faute de la sonde de régulation TR3	Sortie d'alarme ON [ACTIVÉE]; Sortie du compresseur selon les paramètres <b>Con</b> et <b>CoF</b>
“P2”	Faute de la sonde EVP	Sortie d'alarme ON [ACTIVÉE]; Autres sorties inchangées
“P3”	Enregistrement de faute de la sonde TL1	Sortie d'alarme ON [ACTIVÉE]; Autres sorties inchangées
“P4”	Enregistrement de faute de la sonde TL2	Sortie d'alarme ON [ACTIVÉE]; Autres sorties inchangées
“HA1”	Alarme haut TR3	Sortie d'alarme ON [ACTIVÉE]; Autres sorties inchangées
“LA1”	Alarme bas TR3	Sortie d'alarme ON [ACTIVÉE]; Autres sorties inchangées
“HA3”	Alarme haute température sonde TL1	Sortie d'alarme ON [ACTIVÉE]; Autres sorties inchangées
“LA3”	Alarme basse température sonde TL1	Sortie d'alarme ON [ACTIVÉE]; Autres sorties inchangées
“HA4”	Alarme haute température sonde TL2	Sortie d'alarme ON [ACTIVÉE]; Autres sorties inchangées
“LA4”	Alarme basse température sonde TL2	Sortie d'alarme ON [ACTIVÉE]; Autres sorties inchangées
“dA”	Alarme porte ouverte	Le compresseur et les ventilateurs dépendent de “rrd”
“EA”	Alarme externe	Sortie inchangée.
“CA”	Alarme sérieuse	Toutes les sorties OFF [DÉSACTIVÉES]
	“Erreur de l'horloge temps réel”	Réglez la date et l'heure. Voir page 15

# L'enregistreur à diagramme - Notice d'instruction

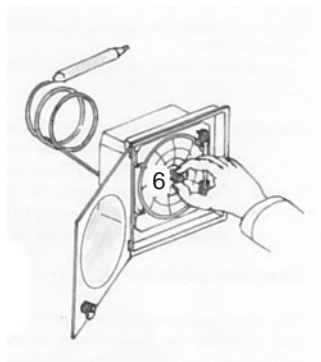
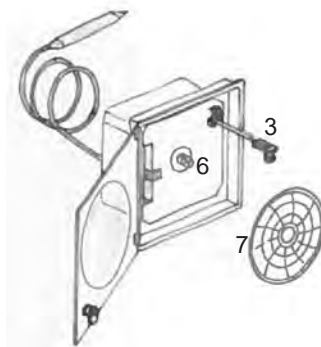
L'enregistreur à diagramme est optionnel

## Entretien:

- Remplacez le diagramme et le stylo-feutre régulièrement.
- Remplacez la pile alcaline une fois par an.

## Mise en service

1. Ouvrez la porte à l'aide de la clef.
2. Levez le stylo d'acier (3) à position verticale loin du diagramme (7).
3. Poussez le support de diagramme (6) de côté et le relevez. Enlevez le diagramme (7).
4. Enlevez la bandelette en plastique afin d'activer la batterie.
5. Réinstallez le diagramme (7). Baissez le support de diagramme (6) et le poussez de côté.
6. Abaissez le stylo d'acier avec précaution (3).
7. Tournez le manuel de la carte pour corriger le point de départ et notez la date sur la carte  
**Il est à conseiller d'attendre presque 6 heures pour voir le trait du stylo-feutre sur le diagramme.**
8. Enlevez la protection du bec du stylo.
9. Fermez la porte à l'aide de la clef.



## Changez le diagramme

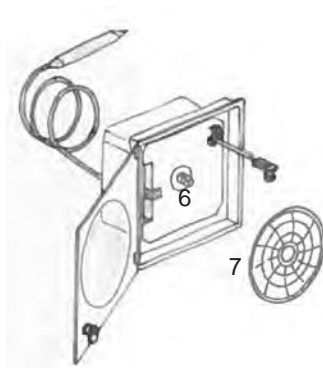
2A. Poussez le ressort du support de diagramme (6).

Le levez de côté.

2B. Enlevez le diagramme (7).

2C. Insérez le nouveau diagramme.

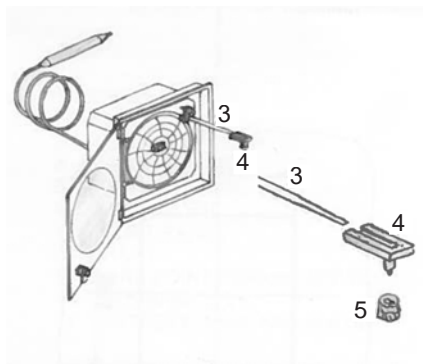
2D. Abaissez le support de diagramme (6) et le poussez de côté.



## Changez le stylo-feutre

3A. Retirez le stylo-feutre (4) en faisant attention de ne pas endommager le stylo.

3B. Montez avec précaution le nouveau stylo-feutre sur le bras de stylo



## Contrôle – calibrage du bras de stylo

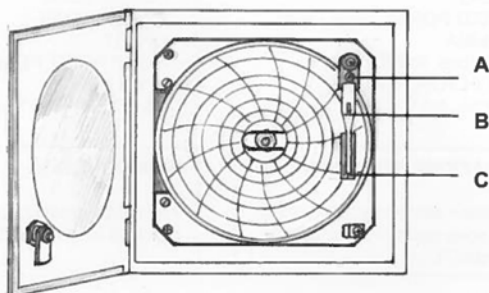
L'enregistreur à diagramme a été calibré de l'usine. Cependant, c'est important de contrôler si le trait de température montre la température correcte.

Nous vous conseillons de contrôler le calibrage de l'enregistreur tous les 12 mois.

Mesurer la température à proximité du capteur de température installé (sonde) avec un thermomètre fiable

S'il y a une différence de +/- 2% entre les données fournies par un thermomètre fiable et les données fournies par l'enregistreur, procédez ainsi qu'il suit :

- Saisissez avec précaution le bras du stylo B
- Calibrez la vis de réglage A à l'aide d'un petit tournevis jusqu'à ce que le stylo-feutre C est écrit à la même température comme le montre le thermomètre fiable





# Dégivrage, nettoyage et maintenance

## Dégivrage:

Les produits stockés dans le congélateur et l'humidité de l'air ambiant entraînent progressivement la formation de givre et de glace à l'intérieur du congélateur. Une fine couche de givre ou de glace n'influe pas sur le rendement du congélateur, mais plus épaisse la couche, plus élevée la consommation de l'énergie.

Ne jamais utiliser d'appareils électriques ou d'objets tranchants puisqu'ils pourraient endommager l'intérieur de l'appareil.

## Dégivrage rapide:

De petites quantités de givre poudreux peuvent être enlevées à l'aide d'un grattoir en plastique.

Devrait être décongelé régulièrement - pour empêcher la prévention de la glace.

L'épaisseur de la formation de la glace dépend de l'utilisation du congélateur. Si les portes ouvrant de nombreuses fois par jour - dégivrage plus manuel.

Porte ouverte / fermée par 24h	Conseillé dégivrage manuel mensuel
<5	1-2
<10	2-4
<15	4-6

## Dégivrage profond:

Lorsque la couche de givre ou de glace dépasse 4-5 mm le congélateur doit être complètement dégivré. Il est recommandé que le dégivrage soit effectué lorsqu'il n'y a pas les produits stockés dans le congélateur.

## Procédez ainsi qu'il suit:

1. Débranchez l'alimentation.
2. Retirez le panneau inférieur au-dessous de la porte en dévissant les deux vis. Utilisez une clé hexagonale de 2 mm. Voir fig. 9.
3. Placez un seau ou un récipient approprié sous le trou d'écoulement de l'eau de dégivrage. Voir fig. 10.
4. Placez un bol d'eau chaude (mais pas bouillante) dans le congélateur, fermez la porte et attendez d'environ 30 minutes avant de retirer la givre dégagée avec le grattoir en plastique.
5. Pour éviter que l'eau endommage le plancher pendant le dégivrage, il est conseillé de vérifier le seau / récipient de temps à autre et de couvrir le plancher autour le trou de l'écoulement de l'eau de dégivrage pour protéger contre la glace et des éclaboussures. Quand tout le givre et la glace ont fondu, nettoyez l'intérieur de l'appareil avec de l'eau avec un détergent doux et sans parfum. Séchez le congélateur avec un chiffon doux.
6. Montez le panneau inférieur de nouveau et reconnectez l'alimentation.
7. Retournez les produits dans le congélateur lorsque la température souhaitée est atteinte.

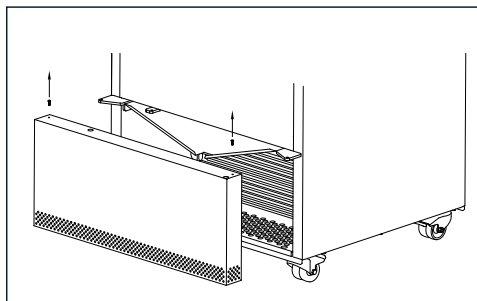


fig. 9

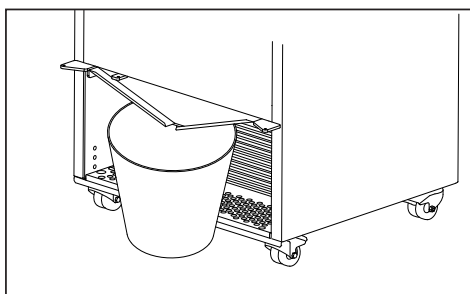


fig. 10

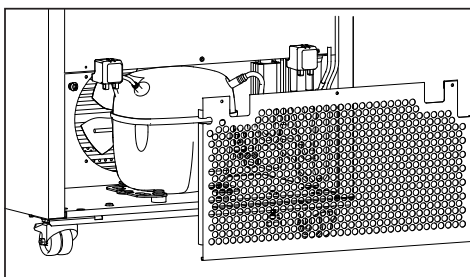


fig. 11

## Nettoyage et entretien

Avant le nettoyage, débranchez l'alimentation électrique et retirez les pièces amovibles.

Le nettoyage le plus efficace de l'appareil s'effectue en utilisant de l'eau chaude (max. 65 °C) avec un petit détergent doux et sans parfum. N'utilisez jamais des produits de nettoyage décapants. Utilisez un chiffon doux. Rincez à l'eau claire et séchez minutieusement. Il est important d'empêcher que de l'eau ne pénètre dans le panneau de commande.

Le joint d'étanchéité autour du couvercle doit être nettoyé régulièrement afin d'éviter la décoloration et pour prolonger la durée d'utilisation. Utilisez de l'eau propre. Après le nettoyage du joint d'étanchéité, vérifiez qu'il continue de fournir une bonne étanchéité.

Il est recommandé de nettoyer le cordon et les condenseurs tubulaires à l'arrière de l'appareil.

La grille de ventilation, le condenseur, le compresseur et le compartiment du compresseur doivent être maintenus libres de poussières et de saletés. Nettoyez-les avec un aspirateur. Enlevez le panneau inférieur sous la porte en dévissant les deux vis. Faire de même à l'arrière (voir fig. 11)

**OBS:** Si l'appareil n'est pas utilisé pendant un certain temps, désactivez-le, débranchez l'alimentation électrique, videz-le, nettoyez l'intérieur et laissez le couvercle ouvert afin de permettre à l'air de circuler et d'éviter les odeurs.

## Localisation des anomalies

En cas d'anomalie	Causes possibles	Marche à suivre
L'écran du clavier n'est pas allumé.	Anomalie d'alimentation électrique; le fusible a grillé; l'appareil n'est pas branché correctement, l'alimentation est coupée.	Vérifier que l'alimentation électrique est branchée. Remplacer le fusible.
La température du congélateur est trop élevée.	La grille d'aération est obstruée.  Le couvercle n'est pas fermé correctement.  La quantité de produits stockés en même temps dans le congélateur dépasse la capacité de l'appareil.  Le réglage de la température est trop élevé	Assurer la libre circulation de l'air  Fermez la porte et attendez 15 min.  Attendez 15 min.  Abaissez le réglage de la température.
La température du congélateur est trop basse.	Le réglage de la température est trop bas	Augmentez le réglage de la température.
Vibration ou bruit désagréable.	L'appareil n'est pas de niveau.	Mettez l'appareil à niveau (pour les modèles avec des pieds réglables : Utilisez un niveau à bulle).
Le compresseur fonctionne sans arrêt.	Le réglage de la température est trop bas.  La température de pièce est trop haute.	Augmentez le réglage de la température.  Assurer une ventilation adéquate.
L'écran ou le log d'alarme affiche: "Erreur de l'horloge temps réel"	La date et l'heure ne sont pas réglées.	Réglez la date et l'heure. Voir page 15

## Garantie, pièces de rechange et service après-vente

Les pannes ou les dommages dûs directement ou indirectement à une utilisation incorrecte ou fautive, un entretien insuffisant, un encastrement, une mise en place ou un raccordement incorrect, un incendie, un accident, un impact de foudre, des variations de tension et tout autre dysfonctionnement électrique dû par exemple à des fusibles ou disjoncteurs défectueux, ou à des défauts du réseau d'alimentation électrique ne sont pas couverts par la garantie. Dans le cas de réparations effectuées par des personnes autres que les réparateurs agréés par le fournisseur, et en termes généraux l'ensemble des pannes et dommages dont le fournisseur peut prouver qu'ils sont dûs à d'autres causes que des erreurs ou défauts de fabrication et de matériaux et qui, par conséquent, ne sont pas couverts par la garantie.

Veillez noter que lorsqu'une intervention dans la construction ou d'une modification des composants de l'appareil a été faite, la garantie et la responsabilité du fournisseur cesse, et l'appareil ne peut pas être utilisé légitimement. L'autorisation figurant sur la plaque signalétique ne sera plus valable.

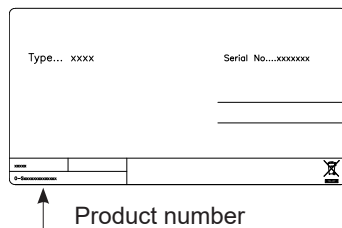
Les dommages dûs au transport et constatés chez le client sont à régler entre le client et le revendeur, ce qui signifie que ce-dernier doit s'assurer de la satisfaction du client.

Avant de faire appel au service après-vente, toujours contrôler les points énumérés dans la liste de recherche des pannes (voir ce point). Dans le cas où la cause de l'intervention demandée ressort de la responsabilité de la personne ayant fait appel au service après-vente, par exemple

si la panne de l'appareil est due à un fusible grillé ou à une mauvaise utilisation, c'est cette personne qui devra régler les frais entraînés par cette intervention.

### Pièces de rechange

Lors de la commande de pièces de rechange, indiquer le type, numéro de produit et de production de l'appareil. Ces renseignements se trouvent sur la plaque signalétique au dos de l'appareil. La plaque signalétique renferme plusieurs informations techniques, dont les numéros de type et de série.



**TOUJOURS** faire appel à des services agréés en cas de réparation ou de remplacement !

# Mise au rebut

**Avis aux utilisateurs concernant la collecte et l'élimination des piles et des appareils électriques et électroniques usagés.**



Apposé sur le produit lui-même, sur son emballage, ou figurant dans la documentation qui l'accompagne, ce pictogramme indique que les piles et appareils électriques et électroniques usagés doivent être séparés des ordures ménagères. Afin de permettre le traitement, la valorisation et le recyclage adéquats des piles et des appareils usagés, veuillez les porter à l'un des points de collecte prévus, conformément à la législation nationale en vigueur ainsi qu'aux directives 2002/96/CE et 2006/66/CE.

En éliminant piles et appareils usagés conformément à la réglementation en vigueur, vous contribuez à prévenir le gaspillage de ressources précieuses ainsi qu'à protéger la santé humaine et l'environnement contre les effets potentiellement nocifs d'une manipulation inappropriée des déchets.

Pour de plus amples renseignements sur la collecte et le recyclage des piles et appareils usagés, veuillez vous renseigner auprès de votre mairie, du service municipal d'enlèvement des déchets ou du point de vente où vous avez acheté les articles concernés.

Le non-respect de la réglementation relative à l'élimination des déchets est passible d'une peine d'amende.



**Pour les utilisateurs professionnels au sein de l'Union européenne**

Si vous souhaitez vous défaire de pièces d'équipement électrique ou électronique, veuillez vous renseigner directement auprès de votre détaillant ou de votre fournisseur.

**Information relative à l'élimination des déchets dans les pays extérieurs à l'Union européenne**

Ce pictogramme n'est valide qu'à l'intérieur de l'Union européenne. Pour supprimer ce produit, contactez les autorités locales ou votre revendeur afin de connaître la procédure d'élimination à suivre.



**Note relative au pictogramme à apposer sur les piles**

Le pictogramme représentant une poubelle sur roues barrée d'une croix est conforme à la réglementation. Si ce pictogramme est combiné avec un symbole chimique, il remplit également les exigences posées par la Directive relative au produit chimique concerné.

### Remarque:

Il est très important de démonter la porte avant de l'éliminer. Ceci pour éviter tout accident par des enfants jouant avec le cabinet et la porte.





GB Reserves the right to alter specifications without prior notice.

DE Recht auf Änderungen vorbehalten.

FR Nous nous réservons le droit d'apporter toutes modifications à nos produits