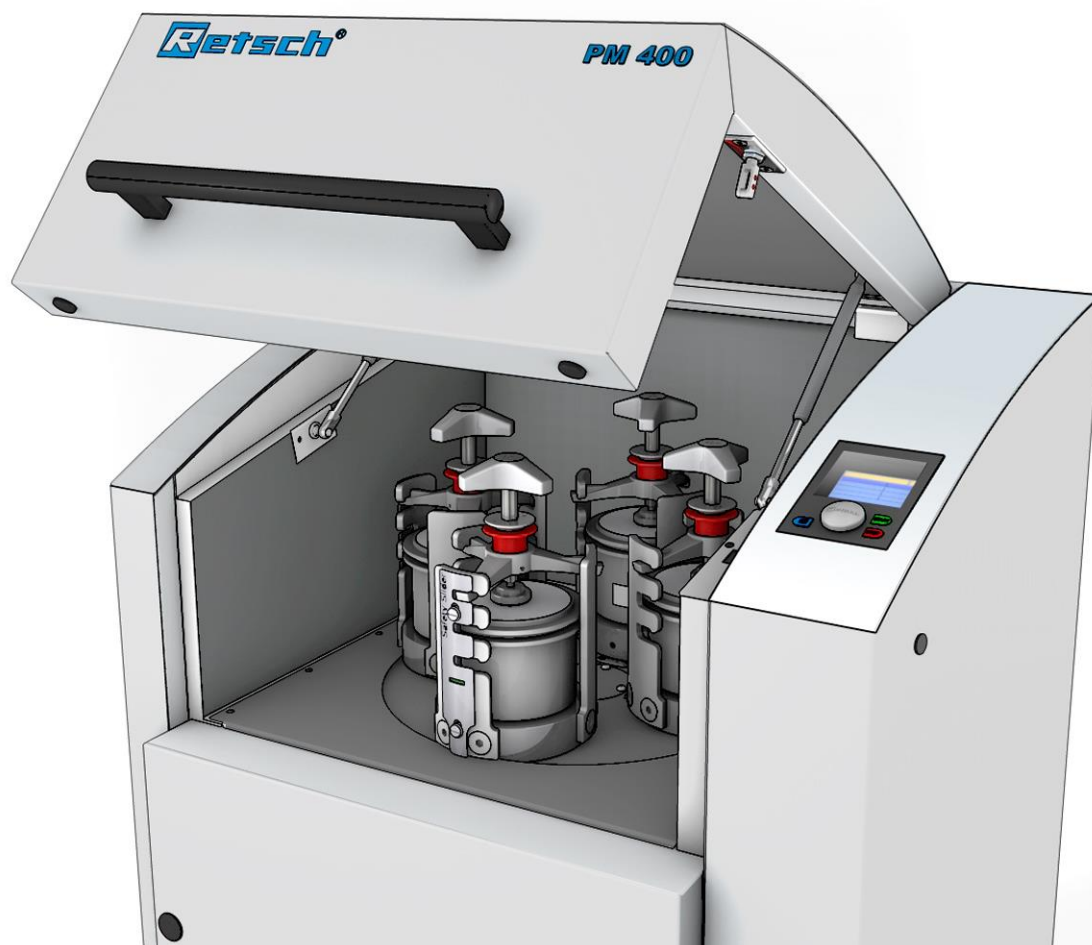


Manual

Planetary Ball Mill PM400



Distributed by:

Lab Unlimited
CARL STUART GROUP

Tallaght Business Park
Whitestown, Dublin 24,
Ireland
D24 RFK3

Tel: (01) 4523432
Fax: (01) 4523967
E-mail: info@labunlimited.com
Web: www.labunlimited.com

Quatro House, Frimley Road,
Camberley,
United Kingdom
GU16 7ER

Tel: 08452 30 40 30
Fax: 08452 30 50 30
E-mail: info@labunlimited.co.uk
Web: www.labunlimited.co.uk



Translation

Retsch[®]

Copyright

© Copyright by
Retsch GmbH
Haan, Retsch-Allee 1-5
D-42781 Haan
Federal Republic of Germany

1	Notes on the Operating Manual	7
1.1	Explanations of the safety warnings	8
1.2	General safety instructions	9
1.3	Repairs.....	10
2	Confirmation	11
3	Transport, scope of delivery, installation	12
3.1	Packaging	12
3.2	Transport.....	12
3.3	Temperature fluctuations and condensed water	12
3.4	Conditions for the place of installation	12
3.5	Installation of the machine	13
3.6	Type plate description.....	13
3.7	Electrical connection.....	13
3.8	Creating interface connection	14
3.9	Transport.....	15
3.10	Installation of the machine	17
3.11	Installation of the machine	17
4	Technical data.....	19
4.1	Use of the machine for the intended purpose.....	19
4.2	Number of grinding stations.....	20
4.3	Receptacle volume	20
4.4	Feed size	20
4.5	Rated power	20
4.6	Electrical connection.....	20
4.7	Emissions.....	21
4.7.1	Noise levels.....	21
4.7.2	Measurement conditions.....	21
4.8	Degree of protection	21
4.9	Protective equipment	21
4.10	Dimensions and weight.....	21
4.11	Required floor space.....	21
5	Operating the machine	22
5.1	Views of the Instrument	22
5.2	Overview table of the parts of the device	24
5.3	Operating elements and displays	25
5.4	Overview Table of the Operating Elements and the Display.....	25
5.5	Opening the device	25
5.6	Closing the device	25
5.7	Emergency unlocking	26
5.8	Inserting the grinding jar	27
5.8.1	Clamping bolt.....	28
5.8.2	Inserting the grinding jar	30
5.8.3	Inserting the clamping unit.....	31
5.8.4	Function of the locking sleeve	31
5.9	Releasing the grinding jar clamping mechanism	32
5.10	Opening the grinding jar clamping mechanism with a counter wrench	32

5.11	Power failure during grinding	33
5.12	Mahlbehälterauswahl für unterschiedlichen Probenmaterialien	33
5.13	Sample quantity	33
5.13.1	Guides for material quantity and balls	34
5.14	Ultrafine grinding.....	34
5.15	Stacking the grinding jars	34
5.15.1	Stacking 50ml grinding jars.....	34
5.15.2	Stacking grinding jars smaller than 50ml.....	35
5.16	Handling grinding jars	35
5.16.1	Carrying and gripping	35
5.16.2	Anti-rotation device	35
5.16.3	Heating the grinding jars.....	35
5.17	Grinding jar – identification	36
5.18	Grinding jar cleaning.....	36
5.18.1	Drying the grinding jars.....	36
5.19	Closing the grinding jar	37
6	Display and operation	39
6.1	Symbols in the Display Unit	39
6.2	Display unit – operation of the device.....	40
6.2.1	Adjustment options using the display menu	40
6.2.2	Navigating between operating modes	40
6.3	Direct access to the language menu	40
6.4	Menu structure	42
6.5	Operating modes	42
6.5.1	Manual operation	42
6.5.2	Program 01 to 10	42
6.5.3	Basic settings.....	42
6.6	Manual operation	43
6.6.1	Grinding time.....	43
6.6.2	Speed.....	43
6.6.3	Interval	43
6.6.4	Direction reversal.....	43
6.6.5	Pause time	43
6.6.6	Save parameters	43
6.6.7	Start in.....	44
6.7	Programs	44
6.7.1	Change program	44
6.7.2	Delete program	44
6.8	Basic settings.....	44
6.8.1	Automatic opening	45
6.8.2	Language	45
6.8.3	Brightness	45
6.8.4	Date	45
6.8.5	Time.....	45
6.8.6	Acoustic warning signal	45
6.8.7	Service	45
6.8.7.1	Operating hours	45

6.8.7.2	Software version of display.....	45
6.8.7.3	Software version of the controller	45
6.8.7.4	Update software.....	45
6.8.7.4.1	Display.....	45
6.8.7.4.2	Controller	46
6.8.8	Safety notice	46
7	Fault messages.....	47
8	Cleaning, wear and service	48
8.1	Service	48
8.1.1	Servicing the clamping unit.....	49
8.1.2	Wear to the bases of the clamping unit	49
8.1.3	Rubber washer on the pressure plate	50
8.1.4	Wear to latching bracket.....	50
8.2	Replacing the machine fuses.....	50
8.3	Returning for service and maintenance	51
9	Disposal.....	53
10	Index	54
Appendix following page	

1 Notes on the Operating Manual

This operating manual is a technical guide on how to operate the device safely and it contains all the information required for the areas specified in the table of contents. This technical documentation is a reference and instruction manual. The individual chapters are complete in themselves.

Familiarity (of the respective target groups defined according to area) with the relevant chapters is a precondition for the safe and appropriate use of the device.

This operating manual does not contain any repair instructions. If faults arise or repairs are necessary, please contact your supplier or get in touch with Retsch GmbH directly.

Application technology information relating to samples to be processed is not included but can be read on the Internet on the respective device's page at www.retsch.com.

Changes

Subject to technical changes.

Copyright

Disclosure or reproduction of this documentation, use and disclosure of its contents are only permitted with the express permission of Retsch GmbH.

Infringements will result in damage compensation liability.

1.1 Explanations of the safety warnings

In this Operating Manual we give you the following safety warnings

Serious injury may result from failing to heed these safety warnings. We give you the following warnings and corresponding content.

 **WARNING**

Type of danger / personal injury

Source of danger

- Possible consequences if the dangers are not observed.
 - **Instructions on how the dangers are to be avoided.**
-

We also use the following signal word box in the text or in the instructions on action to be taken:

 **WARNING**

Moderate or mild injury may result from failing to heed these safety warnings. We give you the following warnings and corresponding content.

 **CAUTION**

Type of danger / personal injury

Source of danger

- Possible consequences if the dangers are not observed.
 - **Instructions on how the dangers are to be avoided.**
-

We also use the following signal word box in the text or in the instructions on action to be taken:

 **CAUTION**

In the event of possible **property damage** we inform you with the word “Instructions” and the corresponding content.

NOTICE

Nature of the property damage

Source of property damage

- Possible consequences if the instructions are not observed.
 - **Instructions on how the dangers are to be avoided.**
-

We also use the following signal word in the text or in the instructions on action to be taken:

NOTICE

1.2 General safety instructions

 **CAUTION**

Read the Operating Manual

Non-observance of these operating instructions

- The non-observance of these operating instructions can result in personal injuries.
- **Read the operating manual before using the device.**
- **We use the adjacent symbol to draw attention to the necessity of knowing the contents of this operating manual.**



Target group : All persons concerned with the machine in any form
 This machine is a modern, high performance product from Retsch GmbH and complies with the state of the art. Operational safety is given if the machine is handled for the intended purpose and attention is given to this technical documentation.

You, as the owner/managing operator of the machine, must ensure that the people entrusted with working on the machine:

- have noted and understood all the regulations regarding safety,
- are familiar before starting work with all the operating instructions and specifications for the target group relevant for them,
- have easy access always to the technical documentation for this machine,
- and that new personnel before starting work on the machine are familiarised with the safe handling of the machine and its use for its intended purpose, either by verbal instructions from a competent person and/or by means of this technical documentation.

Improper operation can result in personal injuries and material damage. You are responsible for your own safety and that of your employees.

Make sure that no unauthorised person has access to the machine.

 **CAUTION**

Changes to the machine

- Changes to the machine may lead to personal injury.
- **Do not make any change to the machine and use spare parts and accessories that have been approved by Retsch exclusively.**

NOTICE

Changes to the machine

- The conformity declared by Retsch with the European Directives will lose its validity.
- You lose all warranty claims.
- **Do not make any change to the machine and use spare parts and accessories that have been approved by Retsch exclusively.**

1.3 Repairs

This operating manual does not contain any repair instructions. For your own safety, repairs may only be carried out by Retsch GmbH or an authorized representative or by Retsch service engineers.

In that case please inform:

The Retsch representative in your country
Your supplier
Retsch GmbH directly

Your Service Address:

2 Confirmation

This operating manual contains essential instructions for operating and maintaining the device which must be strictly observed. It is essential that they be read by the operator and by the qualified staff responsible for the device before the device is commissioned. This operating manual must be available and accessible at the place of use at all times.

The user of the device herewith confirms to the managing operator (owner) that (s)he has received sufficient instructions about the operation and maintenance of the system. The user has received the operating manual, has read and taken note of its contents and consequently has all the information required for safe operation and is sufficiently familiar with the device.

As the owner/managing operator you should for your own protection have your employees confirm that they have received the instructions about the operation of the machine.

I have read and taken note of the contents of all chapters in this operating manual as well as all safety instructions and warnings.

User

Surname, first name (block letters)

Position in the company

Signature

Service technician or operator

Surname, first name (block letters)

Position in the company

Place, date and signature

3 Transport, scope of delivery, installation

3.1 Packaging

The packaging has been adapted to the mode of transport. It complies with the generally applicable packaging guidelines.

NOTICE

Storage of packaging

- In the event of a complaint or return, your warranty claims may be endangered if the packaging is inadequate or the machine has not been secured correctly.
 - **Please keep the packaging for the duration of the warranty period.**
-

3.2 Transport

NOTICE

Transport

- Mechanical or electronic components may be damaged.
 - **The machine may not be knocked, shaken or thrown during transport.**
-

NOTICE

H0014

Complaints

- The forwarding agent and Retsch GmbH must be notified immediately in the event of transport damage. It is otherwise possible that subsequent complaints will not be recognised.
 - **Notify your forwarding agent and Retsch GmbH within 24h**
-

3.3 Temperature fluctuations and condensed water

NOTICE

Temperature fluctuations

The machine may be subject to strong temperature fluctuations during transport (e.g. aircraft transport)

- The resultant condensed water may damage electronic components.
 - **Protect the machine from condensed water.**
-

3.4 Conditions for the place of installation

Ambient temperature: 5°C to 40°C

NOTICE

Ambient temperature

- Electronic and mechanical components may be damaged and the performance data alter to an unknown extent.
- **Do not exceed or fall below the permitted temperature range of the machine (5°C to 40°C / ambient temperature).**

3.5 Installation of the machine

Installation height: maximum 2000 m above sea level

3.6 Type plate description

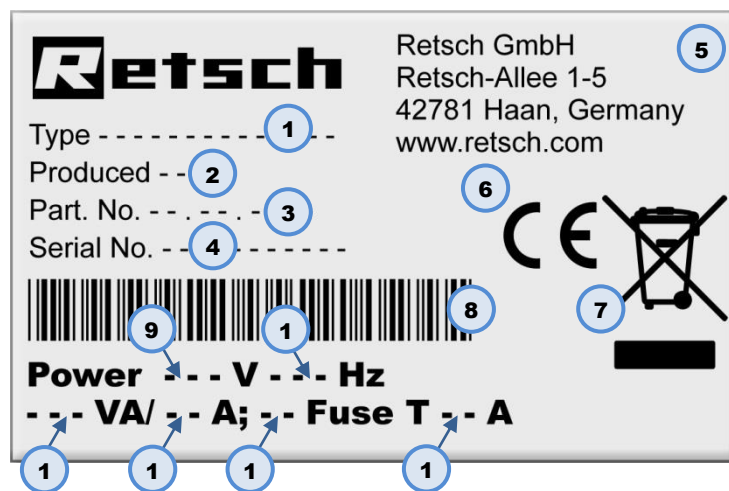


Fig. 1: Type plate lettering

- 1 Device designation
- 2 Year of production
- 3 Part number
- 4 Serial number
- 5 Manufacturer's address
- 6 CE marking
- 7 Disposal label
- 8 Bar code
- 9 Power version
- 10 Mains frequency
- 11 Capacity
- 12 Amperage
- 13 Number of fuses
- 14 Fuse type and fuse strength

In the case of questions please provide the device designation (1) or the part number (3) and the serial number (4) of the device.

3.7 Electrical connection



When connecting the power cable to the mains supply, use an external fuse that complies with the regulations applicable to the place of installation .

- Please check the type plate for details on the necessary voltage and frequency for the device.
- Make sure the levels agree with the existing mains power supply.
- Use the supplied connection cable to connect the device to the mains power supply.
- Make sure that the voltage and frequency of your mains connection corresponds to that on the type plate of the RS200.
- The mains connection must be fused to at least 16A
- An electrical connection without protective earth PE is not permitted.

The drive of the device is equipped with a frequency converter . In order to satisfy the EMC Directive , this is fitted with a mains filter and shielded cables to the motor. If your mains connection includes a residual current protection device, the suppressor capacitor wiring of the frequency converter when this is switched on (it is switched on by closing the grinding chamber hood) can lead to accidental triggering of the residual current protection device without any error being present on the device or in the mains installation.

In accordance with the state of the art, selective all current sensitive residual current protection devices are recommended for such cases. The tripping current must be sufficiently dimensioned because capacitive compensating current (shielded cable, mains filter) which only occurs for a short time can easily lead to accidental triggering.

In certain circumstances it may be necessary to operate the device without a residual current protection device. It is then necessary, however, to check that this does not contravene the local regulations of the electricity company or other institutions and the applicable standards.

3.8 Creating interface connection



Fig. 1: Serial interface

- When updating the device control or display software, a connection with the PC is established using the RS232 interface (**SC**).

NOTICE

The interface cables must not be longer than 2.5m. Longer cables can lead to faults in data transmission.

3.9 Transport

 **WARNING**

Serious personal injury

Falling loads

- The appliance is very heavy and can therefore cause serious personal injuries if it falls down.
- **Lifting above head height is not permissible!**

NOTICE

Transport

- Mechanical or electronic components may be damaged.
- **The machine may not be knocked, shaken or thrown during transport.**

NOTICE

Transport safeguard

- Components may be damaged.
- **Operate the machine only without the transport safeguard or transport the machine only with transport safeguard.**

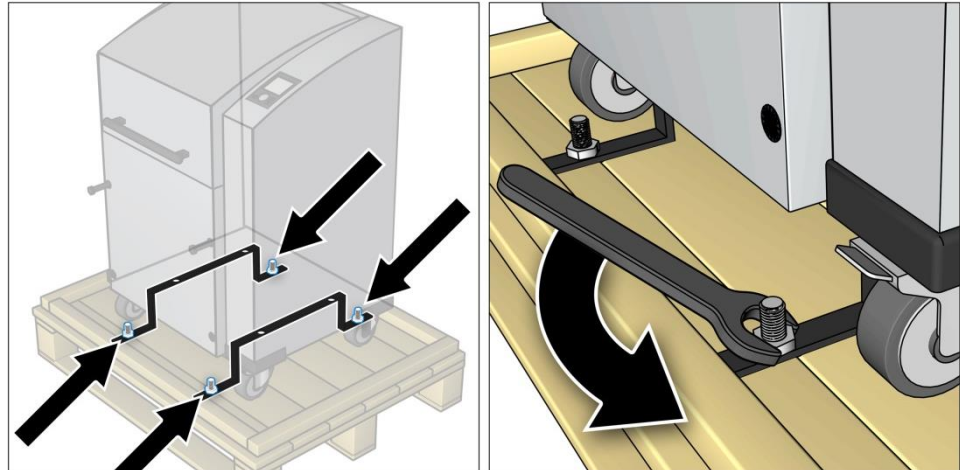


Fig. 2: Unscrewing the transport lock from the transport pallet

The device is secured to the transport pallet by the transport lock and four nuts.

- Use a 13mm spanner to unscrew the four nuts.

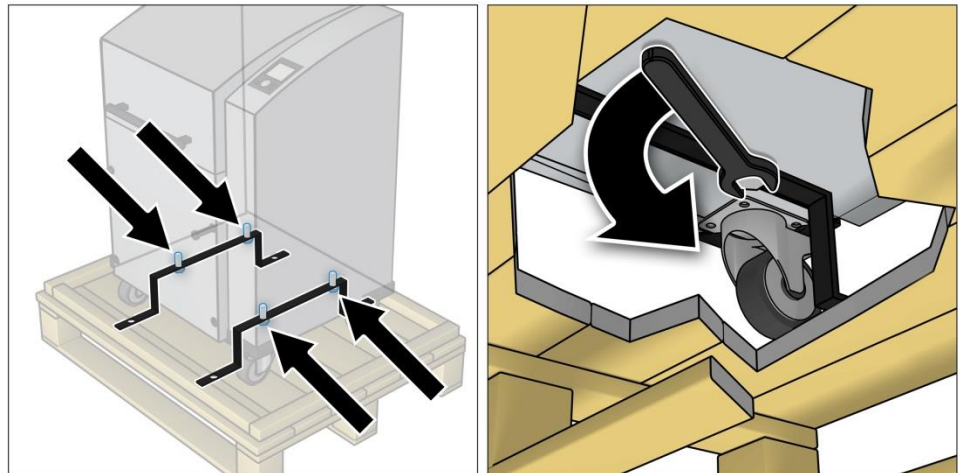


Fig. 3: Removing the transport lock from the device
Four bolts secure the transport lock underneath the device.

- Use a 13mm spanner to unscrew the four bolts.

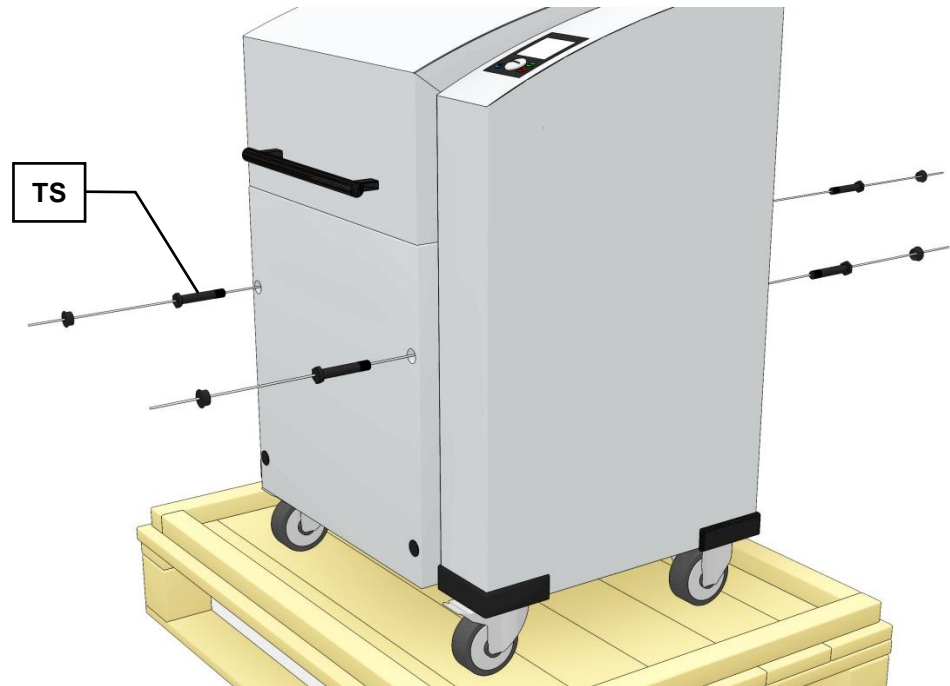


Fig. 4: Mounting the transport screws
The device should only be lifted and transported using the 4 transport screws (TS) provided. Net weight approx. 210 kg

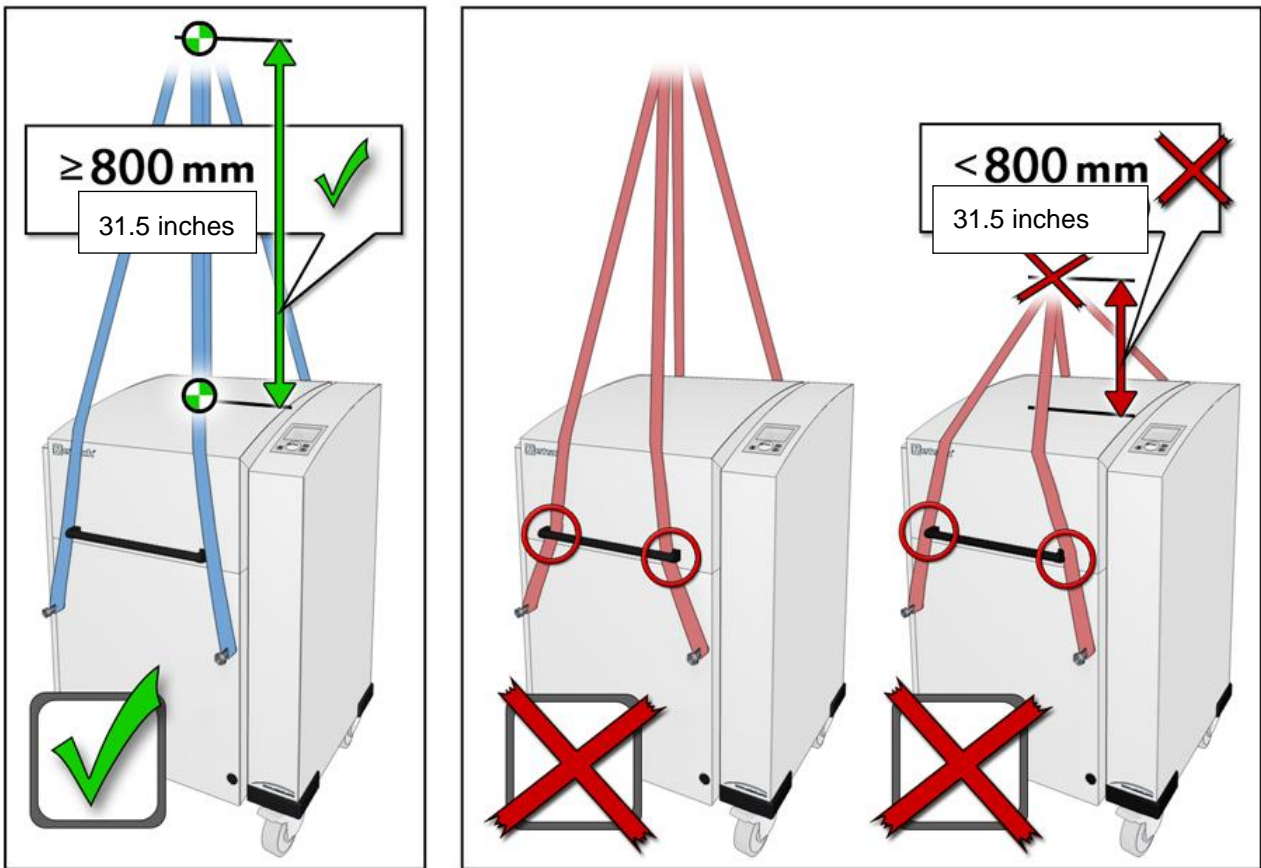


Fig. 5: Attaching the hoist

3.10 Installation of the machine

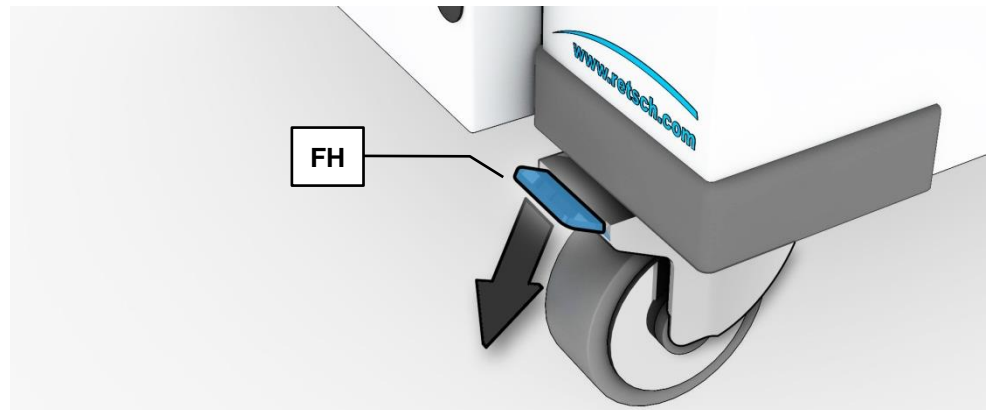


Fig. 6: Locking the transport rollers

- Place the device on a firm surface.
- Please refer to the "Technical Data" chapter for further parameters.
The device must be locked before it is put into operation.
- Press the locking lever (**FH**) of the two front rollers down.

3.11 Installation of the machine

Installation height: maximum 2000 m above sea level

NOTE

Installation

- Depending on the operating status of the mill, there may be slight vibrations.
 - **Place the mill on an even, flat and balanced supporting surface only. The supporting surface must be stable and must not vibrate.**
-

NOTICE

Installation of the machine

- It must be possible to disconnect the machine from the mains at any time.
 - **Install the machine such that the connection for the mains cable is easily accessible.**
-

4 Technical data

4.1 Use of the machine for the intended purpose

 **CAUTION**

1.V0004

Risk of explosion or fire
Changing sample properties

- Consider that the properties and therefore also the hazardousness of your sample can change during the grinding process.
- **Do not use any substances in this device which carry the risk of explosion or fire.**

 **CAUTION**

Risk of explosion or fire

- On account of its design, the device is not suitable for use in hazardous (potentially explosive) atmospheres.
- **Do not operate the device in a hazardous atmosphere.**

 **CAUTION**

Danger of personal injury
Dangerous nature of the sample

- Depending on the dangerous nature of your sample, take the necessary measures to rule out any danger to persons.
- **Observe the safety guidelines and datasheets of your sample material.**



Target group: Operating companies, operators

Machine type designation: PM400

Retsch ball mills are used to grind and mix soft, medium hard and extremely hard, brittle and fibrous materials. Dry and wet grinding are possible. Minerals, ores, alloys, chemicals, glass, ceramics, parts of plants, soil, sewage sludge, house or industrial waste and many other substances can be ground simply, quickly and without loss. The ball mills are used successfully in almost all areas of industry and research. This applies in particular where there are high demands in terms of hygiene, speed, fineness and reproducibility.

NOTICE

Area of use of the machine

- This machine is a laboratory machine designed for 8-hour single-shift operation.
- **This machine may not be used as a production machine nor is it intended for continuous operation.**

4.2 Number of grinding stations

2 or 4 depending on the model

The grinding stations must be operated with the identical grinding jars and with the same weight during each grinding process.

NOTICE

H0068

Strong vibration and loud noise

Uneven load

- The device can produce very high levels of vibrations and noise when loading is uneven.
 - **Always use 2 or 4 grinding jars opposite each other.**
 - **When using 2 grinding jars, the two free grinding stations must be secured using a clamping bolt and a lead frame.**
 - **The grinding stations must be operated with the identical grinding jars and with the same weight during each grinding process.**
 - **Switch the device off immediately if there are high levels of vibration and noise, and check the number and net weight of the jars.**
-

4.3 Receptacle volume

Up to 4 times 300ml, depending on the grinding jar volume.

4.4 Feed size

Up to <10 mm, however this depends on the material.

4.5 Rated power

1500W

Make sure that the voltage and frequency of your mains connection correspond to that on the type plate of the device. The mains connection must be fused to at least 16A .

4.6 Electrical connection

WARNING

When connecting the power cable to the mains supply, use an external fuse that complies with the regulations applicable to the place of installation .

- Please check the type plate for details on the necessary voltage and frequency for the device.
- Make sure the levels agree with the existing mains power supply.
- Use the supplied connection cable to connect the device to the mains power supply.

4.7 Emissions



Damage to hearing

The level of noise can be high depending on the type of material, the knife used, the speed set and the duration of the grinding process.

- Noise that is excessive in terms of level and duration can cause impaired or permanently damaged hearing.

- **Ensure suitable sound-proofing measures or wear hearing protection.**



4.7.1 Noise levels

Noise measurement in accordance with DIN 45635-31-01-KL3

The noise levels are largely influenced by the machine speed, the grinding jar size and the diameter of the grinding balls used.

Workplace-related emissions LpAeq = up to 85dB(A)

4.7.2 Measurement conditions

Grinding set: 4x 500ml special steel with 5 balls each Ø30mm TC (tungsten carbide)

Sample material: quartz, 135g each

Speed: 380 min⁻¹

4.8 Degree of protection

IP40

4.9 Protective equipment

This device is equipped with automatic lid closing which prevents it being started in an unsafe state.

- The device can only be started with closed lid.
- The lid can only be opened when the device has come to a halt.

4.10 Dimensions and weight

Height: up to approx. 1220 mm / Width: 836 mm / Depth: up to approx. 780 mm

Weight : PM400 net approx. 290 kg

4.11 Required floor space

Height (open cover): 1900mm / Width: 1400mm / Depth: 900mm;

NOTICE

A clearance distance of 100mm is necessary at the back to allow the fans to operate.

5 Operating the machine

5.1 Views of the Instrument

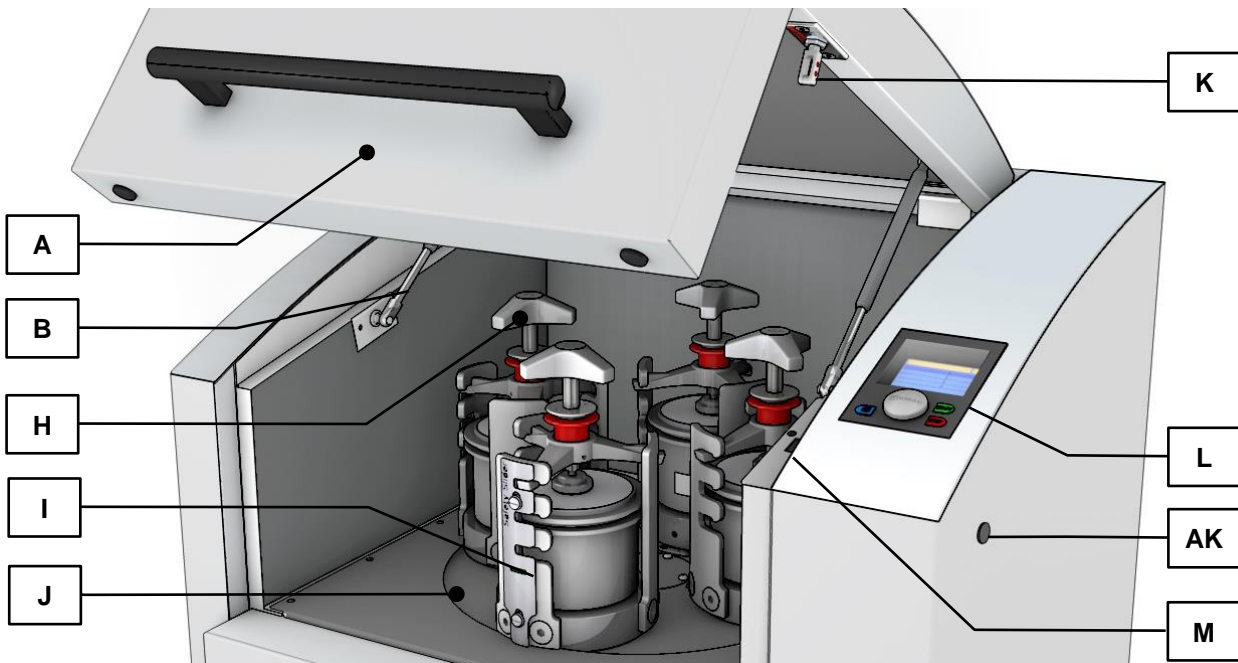


Fig. 7: View of the front of the device

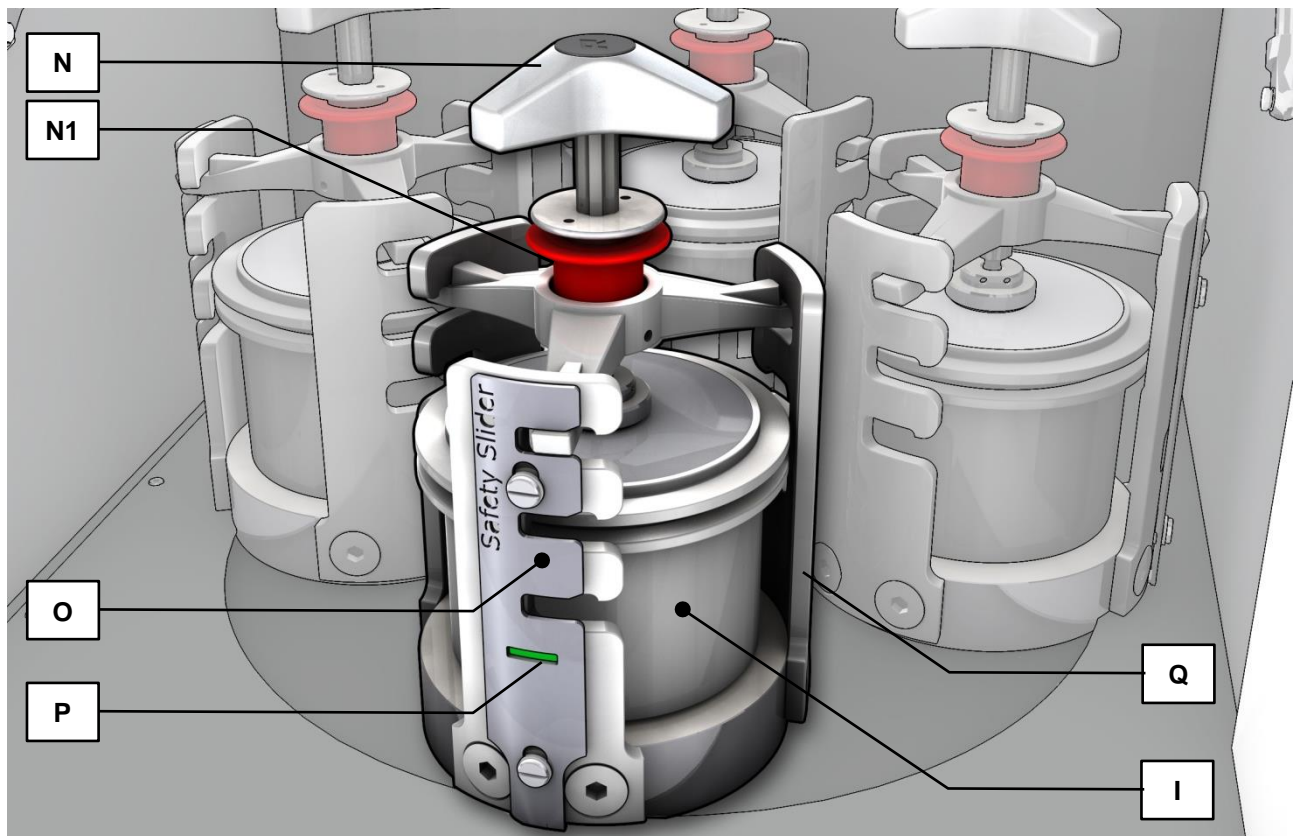


Fig. 8: Close-up of the grinding chamber

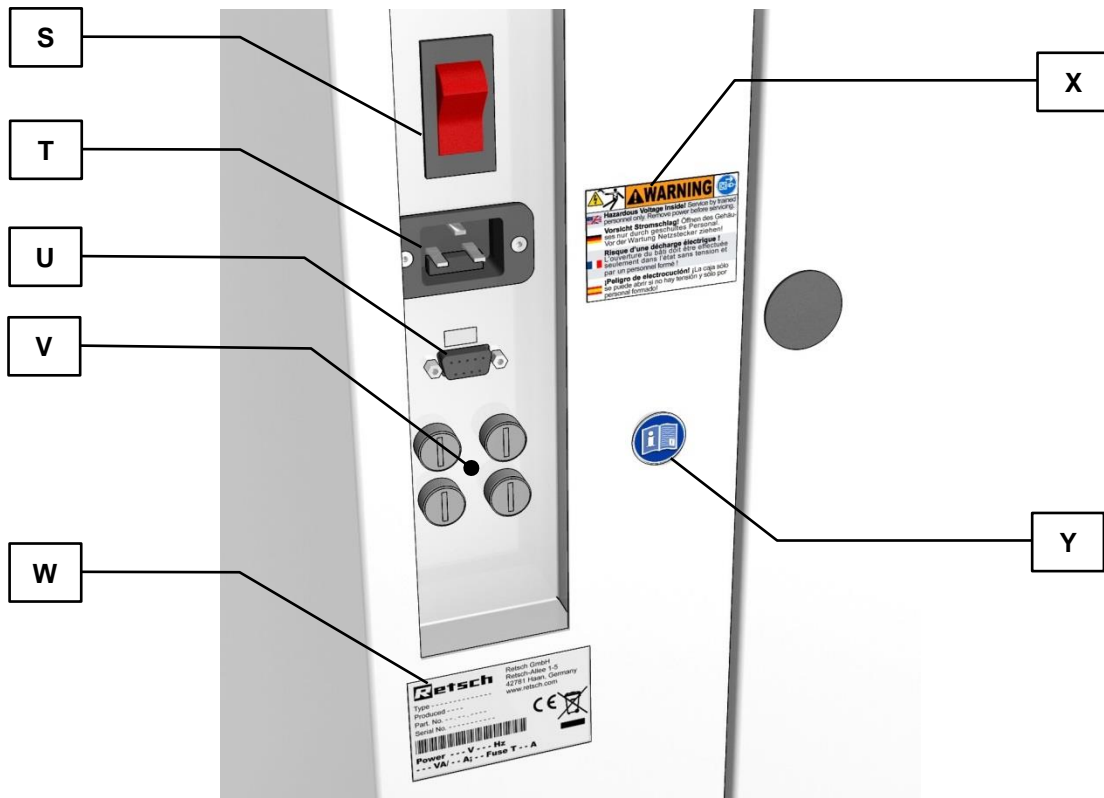


Fig. 9: View of the back of the device

5.2 Overview table of the parts of the device

Element	Description	Function
A	Cover	Closes the grinding chamber
B	Damper for cover	Secures the cover when it is open
H	Clamping unit for grinding chamber	Clamps grinding jar on the support
I	Grinding jar	Sample vessel
J	Turntable	Support for the grinding jar plate
K	Pin closing mechanism	Safety lock for the cover
L	Control panel	Device controller
M	Closing mechanism	Support for pin closing mechanism
N	Handle for clamping unit (lead frame)	Handle to clamp the grinding jars
N1	Locking sleeve	Prevents the twist grip from being turned accidentally
O	Safety Slider	Safety component – checking whether the clamping unit is inserted and clamped
P	Display window	Displays the safety function
Q	Latching bracket	Supports the clamping unit
S	Main switch	Disconnects the device from the mains
T	IEC socket	Power supply for the power cable
U	Serial interface	Interface for communication with the device
V	Support for safety fuse	Access to the device fuse
W	Type plate	Description of device parameters
X	Warning sign to pull out the plug	Warning of electric shock
Y	Sign with instruction to read the operating manual	Sign pointing out the need to read the operating manual

5.3 Operating elements and displays




Fig. 10: View of the control panel

5.4 Overview Table of the Operating Elements and the Display

Element	Description	Function
F	Control knob (rotary/push button)	Rotary control to operate the device settings
G	Button to open the cover	Unlocks the cover
C	Display	Displays the control functions and parameters
D	START button	Starts grinding
E	STOP button	Stops grinding

5.5 Opening the device

The following steps are necessary in order to be able to use and clamp the grinding jar.

- Connect the device to the mains.
- Switch on the main switch at the back of the device.
- Press the  button.

The safety lock opens and the lid can be lifted up

5.6 Closing the device

It is only possible to lock the grinding chamber if the device has been connected to the power supply and the main switch at the back of the device has been switched on.

- Shut the housing lid.
- A sensor detects the closing pin of the housing lid and the motorised lid closing mechanism is switched on.
- The housing lid is locked automatically.

5.7 Emergency unlocking

CAUTION

Emergency Unlocking

Drive continuing to run

- There is a substantial risk of injury if the drive and associated device parts run on a long time without being braked!
- **Activate the emergency unlocking only when the machine has come to a complete stop and is disconnected from the power supply.**

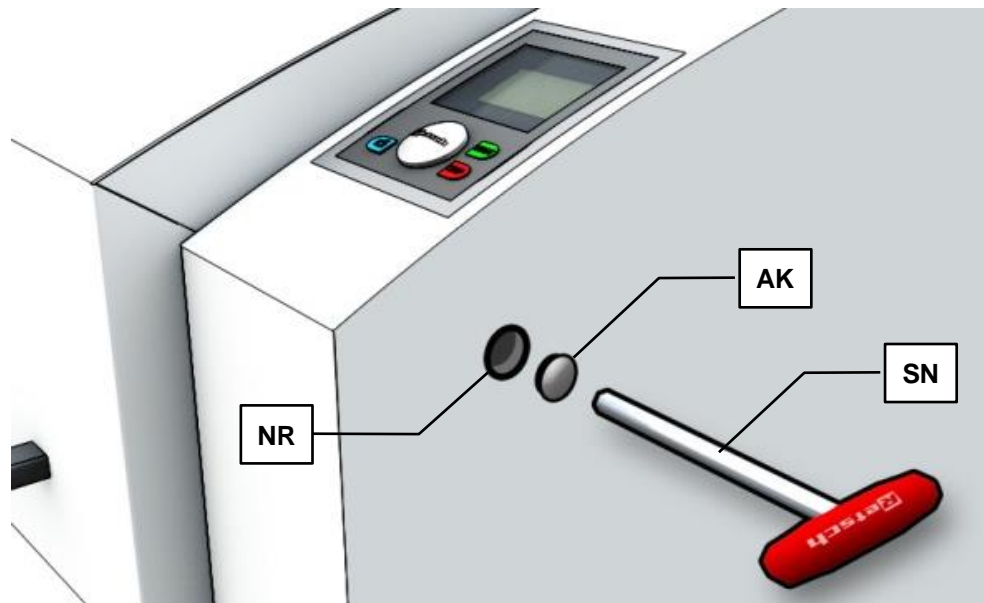


Fig. 11: Emergency release

A key is provided with device delivery. This can be used to open the device manually in the case of a power failure .

- Remove the cap (AK).
- Place the key (SN) in the opening (NR).
- To unlock the gear mechanism, it is necessary to push the key in further using a little force.

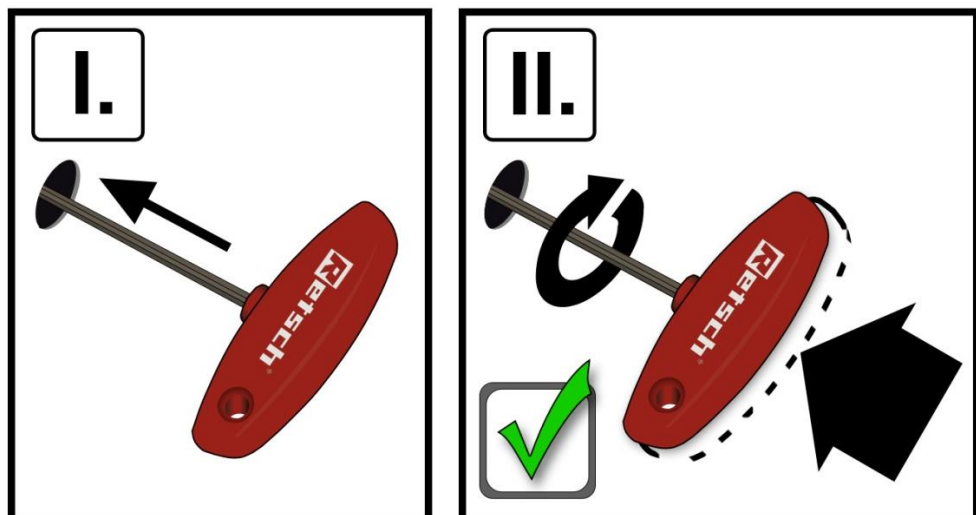


Fig. 12: Emergency release procedure

- At the same time as pushing the key (SN) in, rotate it in a clockwise direction as far as it will go.
- The lock is open and the lid can be lifted up.

5.8 Inserting the grinding jar

 **CAUTION**

V0049

Ejected objects

Grinding jar not clamped

- Grinding jars or clamping mechanisms can be ejected. This results in a risk of injury.
- **Never leave loose clamping devices without clamped grinding jars in the grinding jar support.**
- **Before starting the machine, ensure that all grinding jars are clamped.**
- **Ensure that the red sleeve of the clamping mechanism is clicked into place.**

- **In the case of extended grinding processes, check that the grinding jars are secure at the following intervals:
After 3 min, after 1h, after 5h then every 10-12h.**



 **CAUTION**

Scalding/burns

Hot grinding jar

- Depending on the grinding process, the material being ground and accordingly the grinding jar can become very hot.
- **Wear appropriate protection always when touching the grinding jar if it is hot.**

NOTICE

H0068

Strong vibration and loud noise

Uneven load

- The device can produce very high levels of vibrations and noise when loading is uneven.
- **Always use 2 or 4 grinding jars opposite each other.**
- **When using 2 grinding jars, the two free grinding stations must be secured using a clamping bolt and a lead frame.**
- **The grinding stations must be operated with the identical grinding jars and with the same weight during each grinding process.**
- **Switch the device off immediately if there are high levels of vibration and noise, and check the number and net weight of the jars.**

5.8.1 Clamping bolt

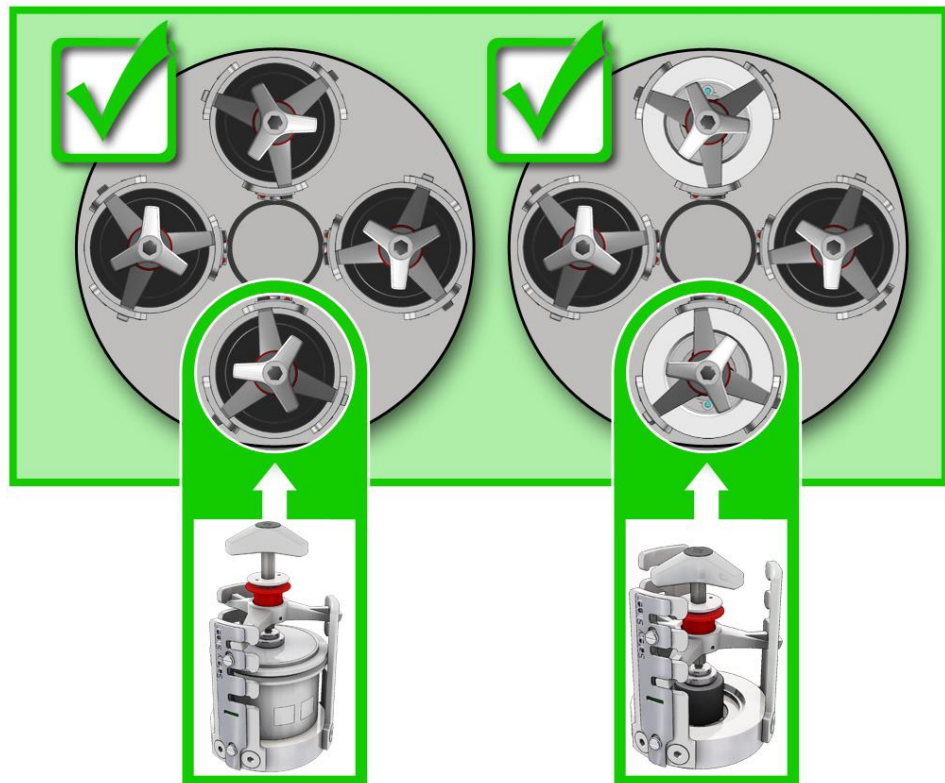


Fig. 13: Correct loading of the device – 4 or 2 grinding jars

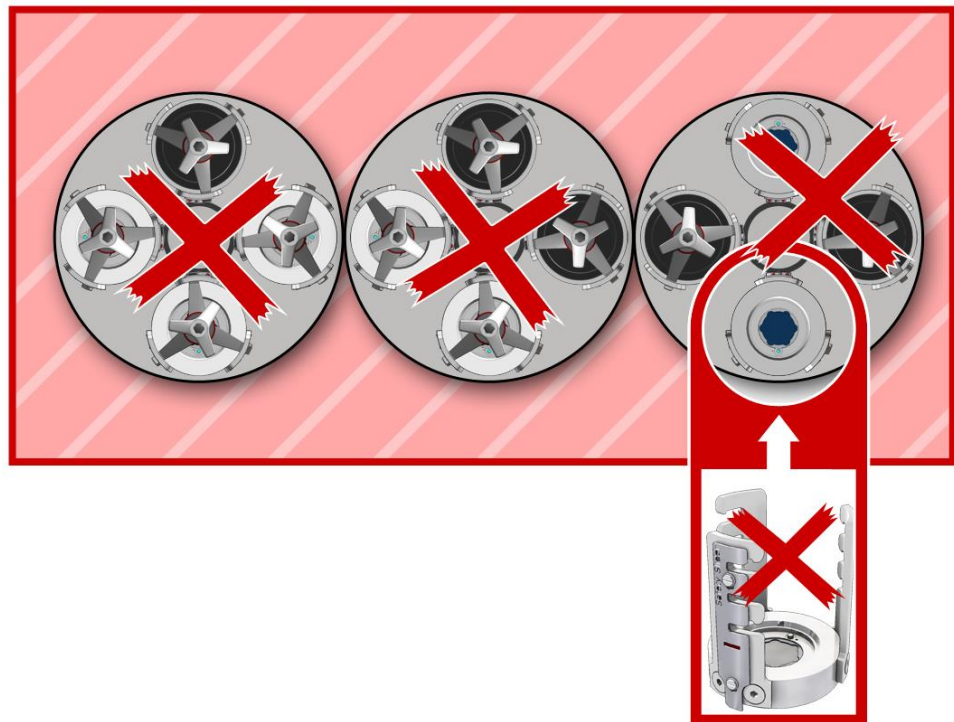


Fig. 14: Incorrect loading of the device

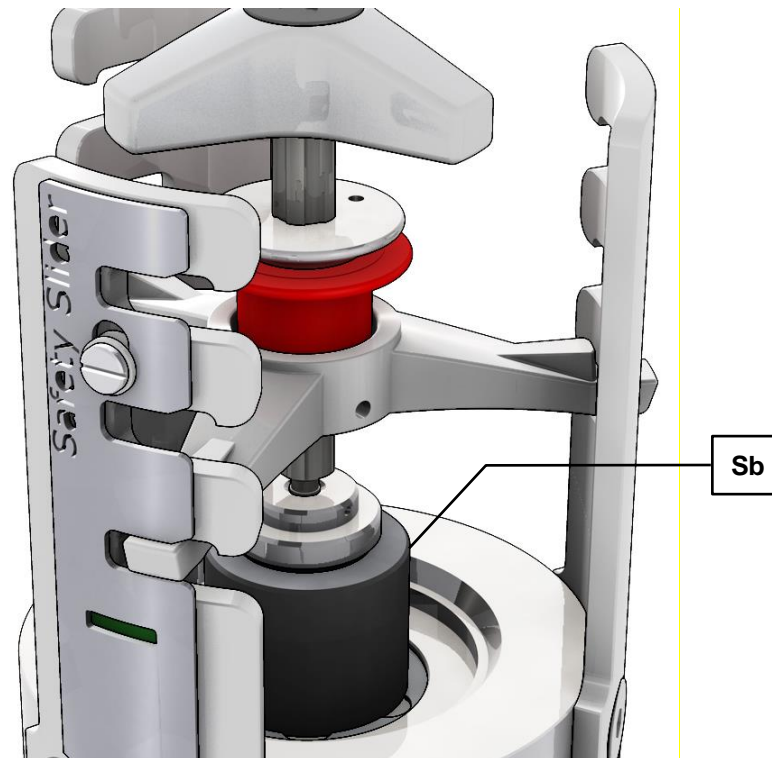


Fig. 15: Clamping bolt

When grinding with 2 grinding jars these must be inserted so they are opposite each other. The two remaining empty grinding stations must each be secured by a clamping bolt (**Sb**) and a clamping unit.

Otherwise the safety slider function will stop the device from starting.

Strong oscillation of the machine indicates poor weight balance or incorrectly clamped grinding jars!

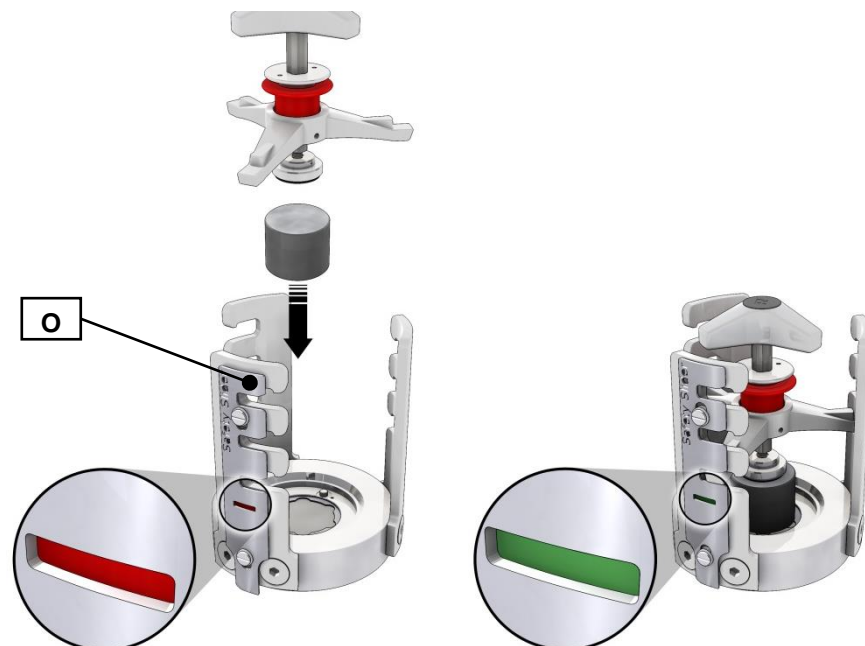


Fig. 16: Clamping bolt activates the Safety Slider

- When using two grinding jars, place a clamping bolt and a clamping unit in the two empty opposite grinding stations.

- The insertion and clamping of the clamping unit pushes the Safety Slider (O) upwards, thereby activating it.

After the machine has started, the device checks this safety function for approx. 15 seconds.

The device aborts the starting process and emits an error message if

- you have not clamped the clamping unit;
- you have not inserted any clamping unit or clamping bolts; or
- if the grinding jar is missing.

5.8.2 Inserting the grinding jar

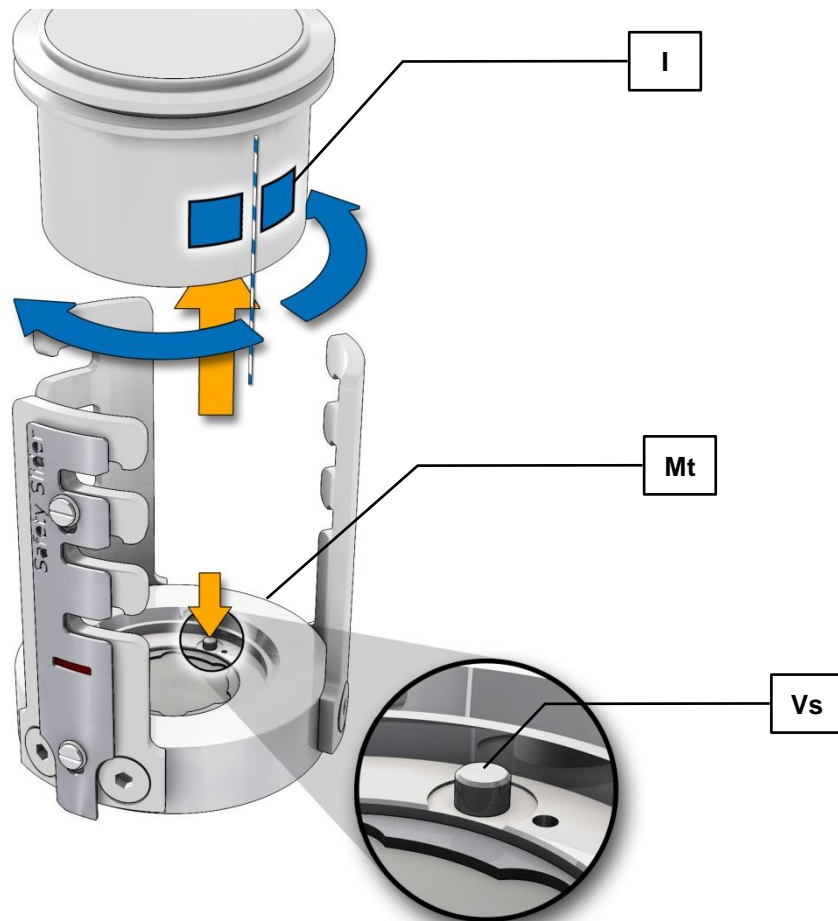


Fig. 17: Clamping the grinding jar

- If necessary clean the grinding jar base (Mt) and the anti-rotation pin (Vs).
- Turn the grinding jar label (I) to the same side as the anti-rotation pin.
- Place the grinding jar in the grinding jar support.
- Pay attention to the anti-rotation device when using 250 and 500 ml grinding jars. The hole drilled in the bottom of the grinding jar to support the anti-rotation pin (Vs) is situated on the side of the lettering areas (I).

5.8.3 Inserting the clamping unit

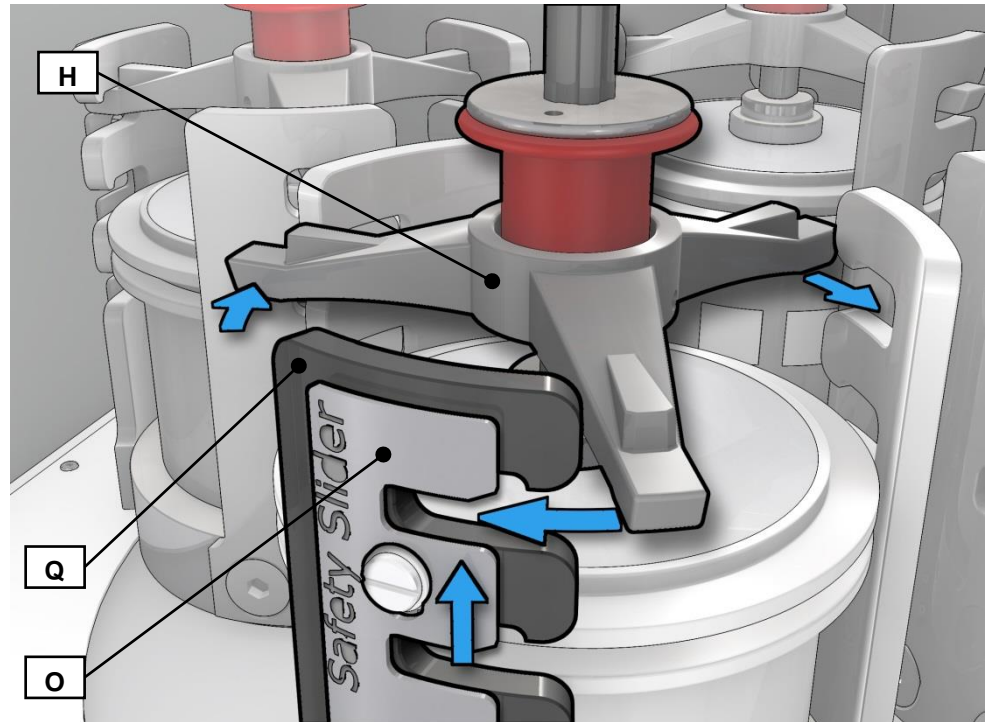


Fig. 18: Inserting the clamping unit

- Insert the clamping unit (H) in the three latching brackets (Q).

5.8.4 Function of the locking sleeve

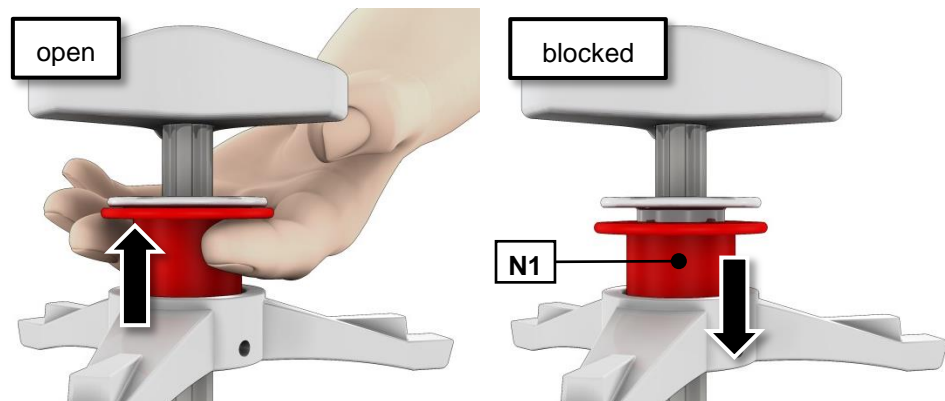


Fig. 19: Function of the locking sleeve

- Pull the red sleeve (N1) upwards and clamp the grinding jar by twisting the three-star grip to the right.
- Allow the red sleeve (N1) to audibly click down into place, if necessary tightening slightly using the three-star grip.
- It should no longer be possible to turn the three-star grip.
- The locking sleeve now in the blocked position stops the threaded spindle from coming loose automatically.

5.9 Releasing the grinding jar clamping mechanism

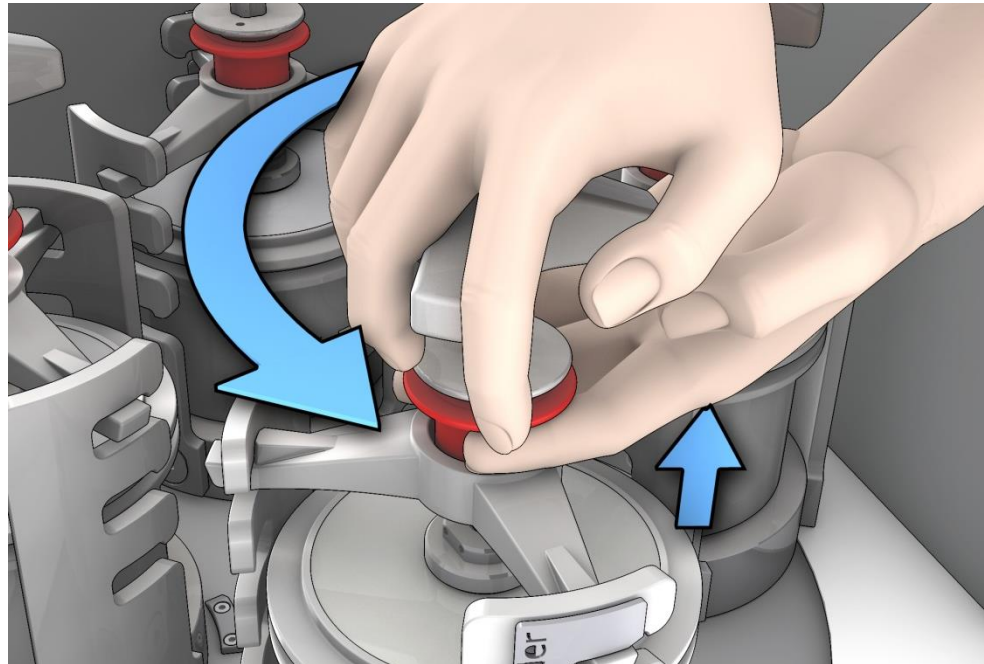


Fig. 20: Releasing the grinding jar clamping mechanism

- Pull the red sleeve (5) upwards.
- Turn the three-star grip to the left to release the grinding jar.
- Keep turning the three-star grip to the left until the grinding jar clamping mechanism can be removed.

5.10 Opening the grinding jar clamping mechanism with a counter wrench

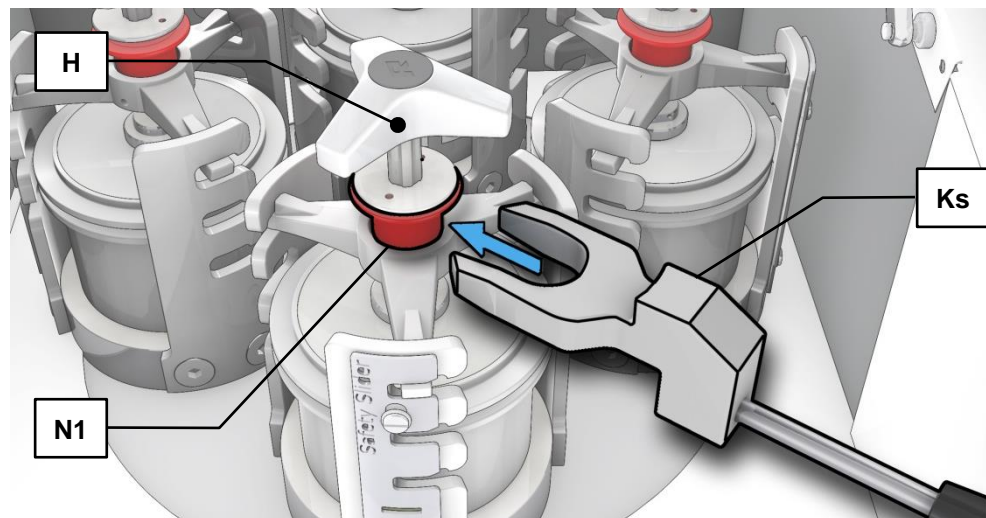


Fig. 21: Inserting the counter wrench

- The counter wrench (Ks) [accessory] can be used to loosen or tighten the clamping unit (H).
- When inserting the counter wrench (Ks), the locking sleeve (N1) is pushed upwards and released.

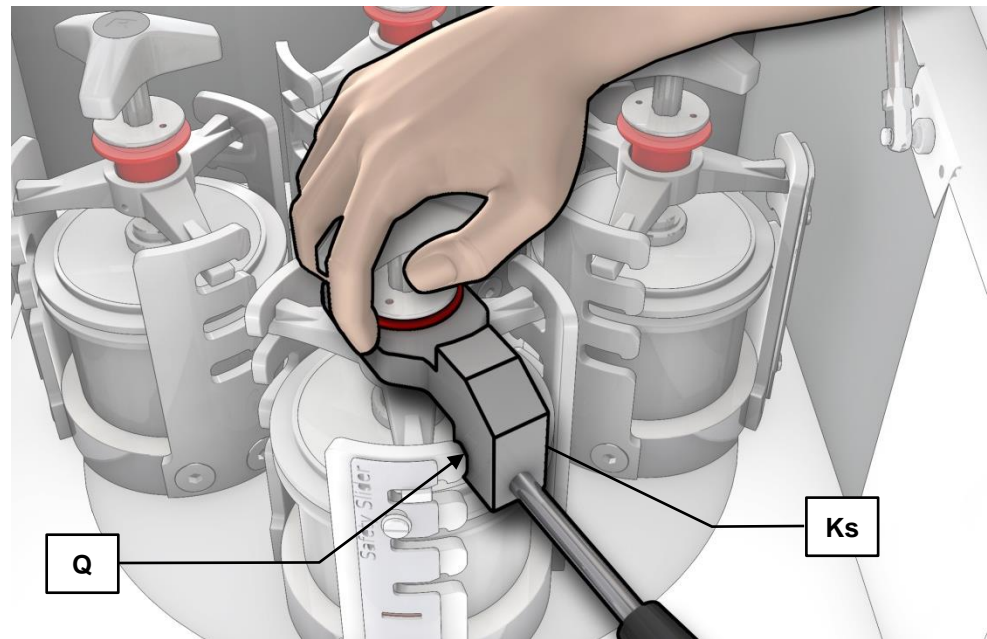


Fig. 22: Loosening the clamping unit

- Rest the counter wrench (**Ks**) on the latching bracket (**Q**) during closing and loosening.

5.11 Power failure during grinding

If the power fails during grinding, grinding will be interrupted. All parameters are retained, and the remaining grinding time is saved. When the device is switched on again, a corresponding message appears in the display.

You can continue the process by pressing the START button. The automatic saving of the remaining grinding time means the grinding then continues until the end of the originally set grinding time.

For safety reasons the device must be opened and the grinding chamber inspected. Grinding then continues automatically when the lid is closed.

The process is aborted by pressing the STOP button.

5.12 Mahlbehälterauswahl für unterschiedlichen Probenmaterialien

This device is only suitable for use with grinding jars from Retsch GmbH with a nominal volume of 12 ml - 500 ml.

They are available in the following materials:

- Agate
- Sintered corundum
- Zirconium oxide
- Stainless steel
- Special steel
- Tungsten carbide

5.13 Sample quantity

NOTICE

If the fill level in the grinding jar is too high or too low, this will impair the milling result and may cause damage (increased abrasion) to the grinding set.

5.13.1 Guides for material quantity and balls

Grinding jar volume	Sample volume	Max. feed size	Ball filling (unit)			
			Ø 10mm	Ø 20mm	Ø 30mm	Ø 40mm
12 ml	Up to 5 ml	1 mm	5 units	-	-	-
25 ml	Up to 10 ml	1 mm	8 units	-	-	-
50 ml	5 – 20 ml	3 mm	10 units	3 units	-	-
80 ml	10 – 35 ml	4 mm	25 units	5 units	-	-
125 ml	15 – 50 ml	4 mm	30 units	7 units	-	-
250 ml	25 – 120 ml	6 mm	50 units	15 units	6 units	-
500 ml	75 – 220 ml	10 mm	100 units	25 units	8 units	4 units

5.14 Ultrafine grinding

High degrees of fineness can frequently only be achieved using wet grinding. Improved final fineness can be achieved in dry grinding by adding a few drops of stearin or acetic acid and by using grinding balls with a $\varnothing < 10\text{mm}$ and a fill level of 70-80% of the grinding jar volume.

5.15 Stacking the grinding jars

5.15.1 Stacking 50ml grinding jars

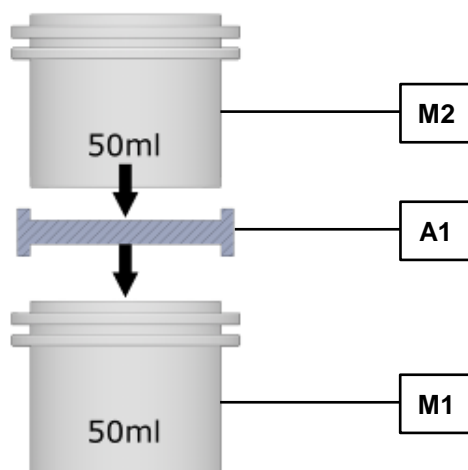


Fig. 23:
You can also stack two 50ml grinding jars on top of one another. You will need the optional adapter to stack the grinding jars.

Stacking process:

- Place the grinding jar (**M1**) in the grinding jar base
- Place the adapter (**A1**) on the lid of M1
- Place grinding jar (**M2**) on the adapter
- Clamp the grinding jars as described in the chapter “Clamping the grinding jars”.

5.15.2 Stacking grinding jars smaller than 50ml

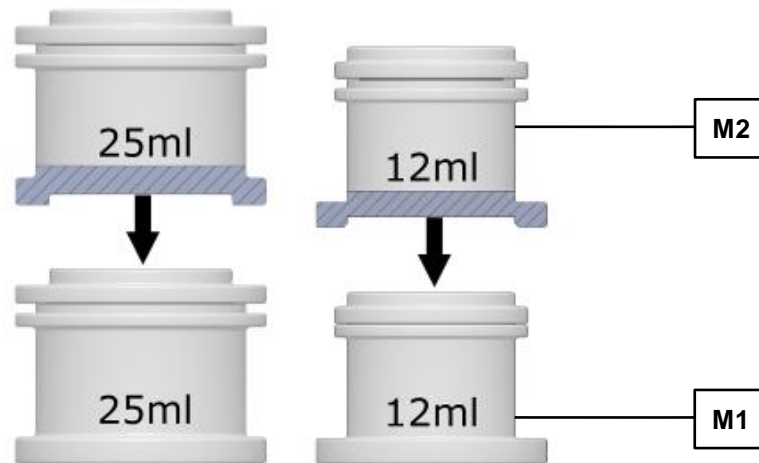


Fig. 24:

Grinding jars with a capacity of less than 50ml can be stacked on top of each other directly without the use of accessories.

Stacking process:

- Place the grinding jar (**M2**) directly on top of grinding jar (**M1**).
- Clamp the grinding jars as described in the chapter “Clamping the grinding jars”.

5.16 Handling grinding jars

5.16.1 Carrying and gripping



Fig. 25: Grinding jar

The gripping flanges (**Gr**) on the grinding jar lid permit secure handling.

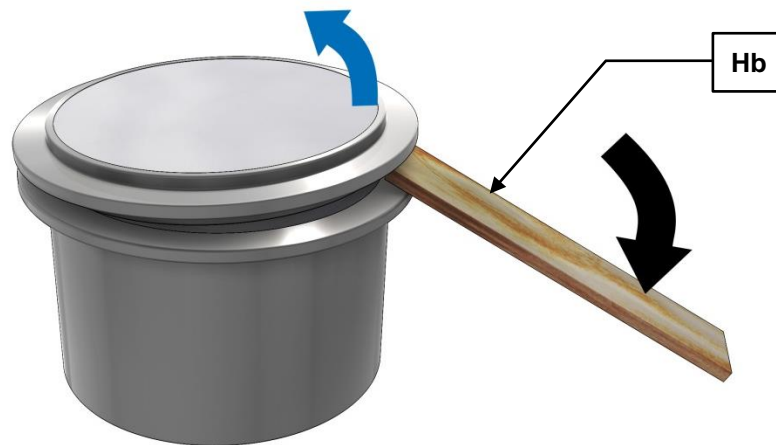
5.16.2 Anti-rotation device

All 250ml and 500ml grinding jars have a drilled hole underneath the grinding jar as anti-rotation device. The anti-rotation device is only used with the PM400 and is located on the side of the grinding jar casing with lettering.

5.16.3 Heating the grinding jars

Depending on the grinding time and the fill level, the grinding jars can be heated to a temperature of up to 150°C during grinding.

This temperature change causes the pressure inside the grinding jar to increase. When unscrewing the lid, please note that this excess pressure is released by a sudden escape of air. This may be accompanied by particles of sample material.



When grinding jars have been left to cool, a vacuum is created inside them which can make them difficult to open. The grinding jars can be prised open between the gripping flanges on the lid and the grinding jar, e.g. using a flat wooden stick (**Hb**).

5.17 Grinding jar – identification

All grinding jars can be identified by lettering which shows the article number and material.

5.18 Grinding jar cleaning

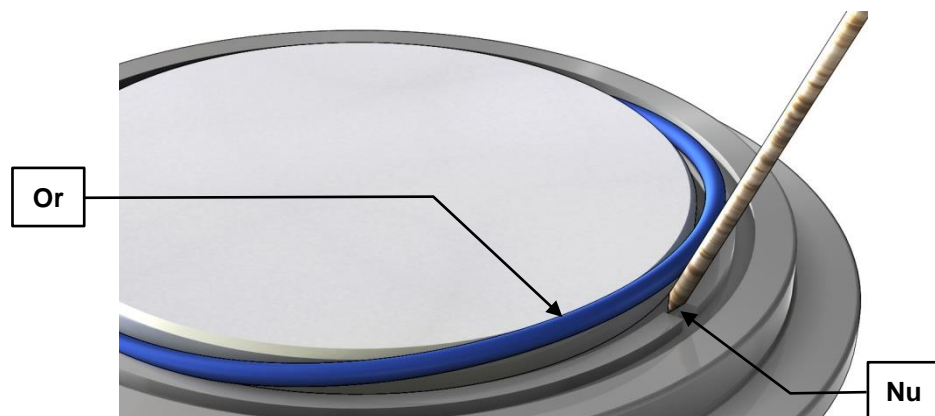


Fig. 26: Removing the O-ring

The O-ring (**Or**) on the groove (**Nu**) on the underneath of the lid can be lifted out easily to clean the grinding jar.

Grinding jars, including those with glued ceramic inserts, can be cleaned using alcohol, benzine or normal household detergents

NOTICE

When cleaning, do not expose grinding jars with ceramic inserts to sudden temperature differences.

Sudden temperature fluctuations can cause the ceramic inserts to crack.

5.18.1 Drying the grinding jars

After cleaning, the grinding jars can be dried in the drier cabinet at the temperatures specified below.

Grinding jar material	Temperature
Special steel	Up to 200°C

Stainless steel	Up to 200°C
Tungsten carbide (TC)	Up to 150°C
Sintered corundum	Up to 120°C
Agate	Up to 120°C
Zirconium oxide	Up to 120°C
Silicon nitride	Up to 120°C

5.19 Closing the grinding jar

After filling the grinding jars, they should be closed using the locking mechanisms available as an accessory.



Fig. 27: Locking mechanism

In the case of grinding jars with material inserts made of ceramics or TC, only use locking mechanisms that support the material insert in the grinding jar lid. This is essential due to the expected internal pressure.

NOTICE

During wet grinding in grinding jars with material inserts, do not use the older locking mechanisms. Older locking mechanisms only clamp the gripping flanges of the grinding jars, which means that the material inserts may be pushed out if internal pressure arises.

Use of agate grinding jars for wet grinding with solvents should in particular be reconsidered because of the internal pressure that arises and the inhomogeneous material properties of a natural product.

Tighten the clamping screws on the locking mechanism to 2.5 Nm. Only with this initial tension are internal pressures of up to 5 bar permissible.

NOTICE

Damage to the grinding jar lid and the device

The three screws on the safety clip of the aeration cover may become loose and damage the inside of the device.

After tightening the safety clamping device, check that the three screws on the safety clip are still screwed tight.

Please note that the grinding jars may heat up to over 100°C depending on the grinding jar size, the ball filling, the speed and the grinding time.

The PM400 is fitted with a fan which extracts the waste heat created during grinding directly out of the grinding chamber. The extraction volume per hour is greater than 20 times the grinding chamber volume. The fan has standstill monitoring with signalling.

The airflow from the fan during grinding can be discharged into an extractor hood if necessary.

Check that the locking mechanism is secure before removing the grinding jar.

Only remove grinding jars with locking mechanism, and only open after cooling when in a safe position (extraction device).

6 Display and operation

6.1 Symbols in the Display Unit

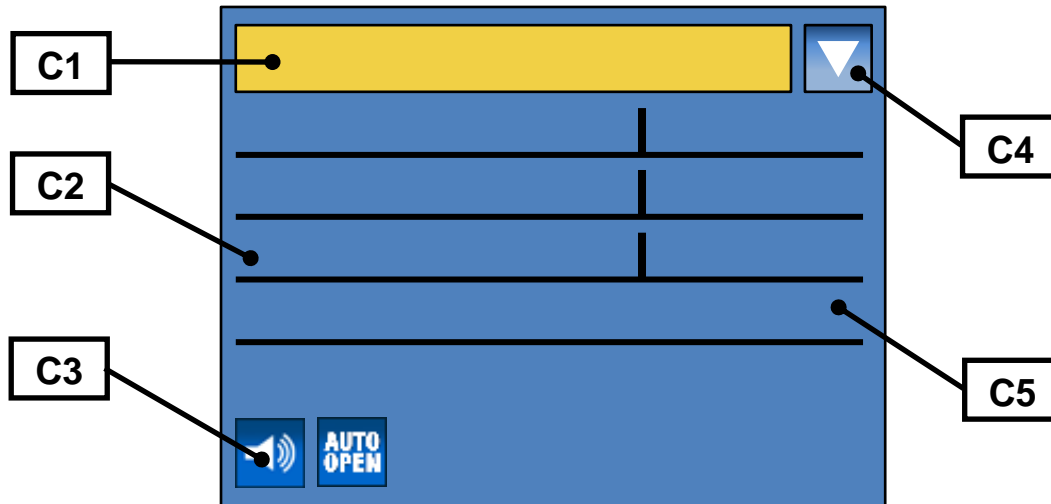


Fig. 28: View of the menu on the display unit

Element	Description	Function
C1	Menu navigation	Switching between manual operating mode, program and basic settings
C2	Specification of grinding parameters	Displaying and setting grinding parameters
C3	Icons for device functions	Displaying the function statuses of sound, automatic opening and grinding jar recognition
C4	Icon for scrolling direction	Displays the possible scrolling directions
C5	Grinding parameters	Display of values

	Automatic opening switched on
	Automatic opening switched off
	Direction reversal switched on
	Direction reversal switched off
°C	Motor or frequency converter too hot
Power	Grinding output display
	Acoustic warning signal on
	Acoustic warning signal off
	Scrolling upwards or downwards possible
	Only scrolling upwards possible

	Only scrolling downwards possible
--	-----------------------------------

6.2 Display unit – operation of the device

This device offers a new, very convenient user interface. All relevant data can be entered and retrieved using a graphics display with one-button operation. The menu is available in different languages.

6.2.1 Adjustment options using the display menu

The selection bar in the display should be operated as follows:

Rotating function I)

- Rotate the operating button to get to the different menu items. The selected menu items are marked by the dark selection bar. Areas that cannot be changed are skipped.

Rotating function II)

- Rotate the operating button to change numerical values and decisions in the menu items.

Press I)

- Press the operating button to open selected menu items.

Press II)

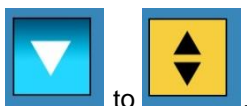
- Press the operating button to confirm settings.

Press III)

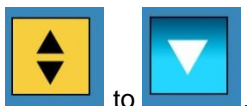
- Keeping the operating button pressed for longer takes you back to the basic screen (Level 1).

6.2.2 Navigating between operating modes

- Rotate the operating button in a clockwise direction until the dark line cursor is in the navigation menu (**C1**).
- Press the operating button (**F**).
- The icon for the scrolling direction (**C4**) changes from



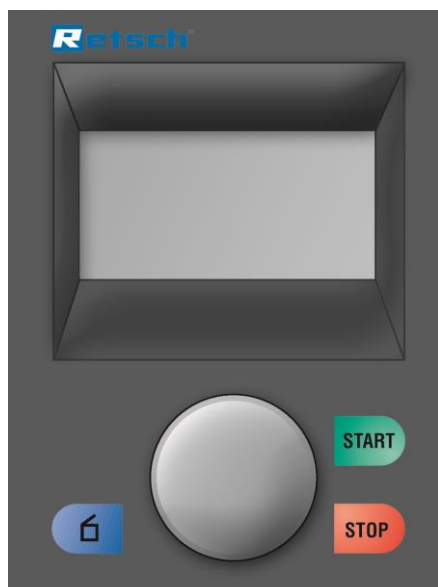
- By pressing the operating button, navigate between manual operation, Programs 01 to 10 and the basic settings operating modes.
- Press the operating button (**F**) to activate the selected operating mode.
- The icon for the scrolling direction (**C4**) changes from



- By rotating the operating button, switch to the sub-items of the selected menu item.

6.3 Direct access to the language menu

If you have unintentionally set the wrong language, you can go straight to the language menu by following the steps below.

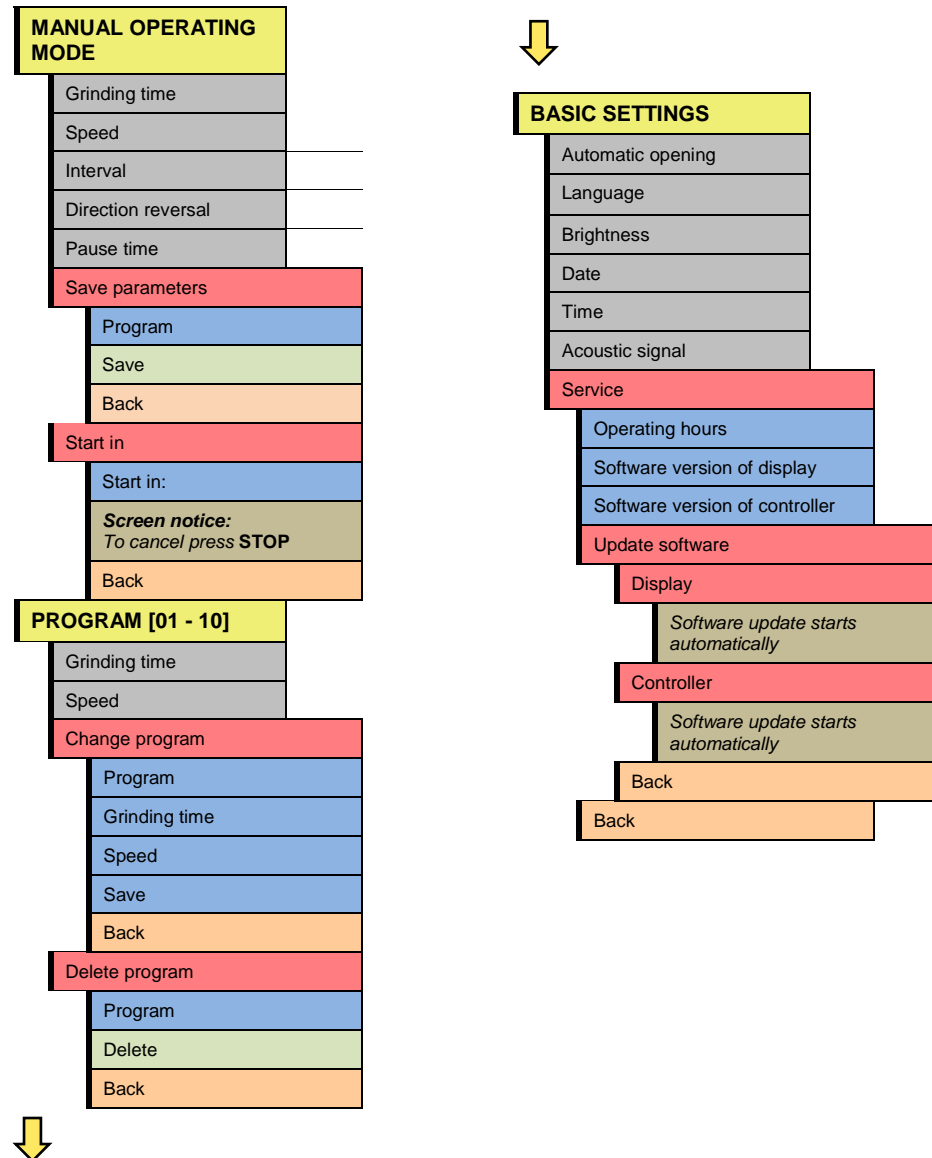


- Switch the device off at the main switch.
- Switch the device on while simultaneously pressing the buttons **START - STOP – Open hood**.
- After selecting the correct language, switch the device off and then immediately back on.
- Confirm your selection by pressing the operating button.

The device is now set permanently to your language and you are in the main menu.

6.4 Menu structure

Complete summary of all menu options:



6.5 Operating modes

You can select the following operating modes using the menu navigation **(C1)**:

6.5.1 Manual operation

When this function has been set you can access and change all parameters and functions at any time. This is also possible during grinding.

6.5.2 Program 01 to 10

In programs 01 to 10 the previously set parameters for grinding time and speed can be saved to a memory.

6.5.3 Basic settings

You can adjust the following device settings in this settings menu:

- Automatic opening
- Language
- Brightness
- Date
- Time
- Acoustic warning signal
- Service

6.6 Manual operation

6.6.1 Grinding time

00:01:59 to 99:59:59 (hours : minutes : seconds)

The device is started with the preselected grinding time and at the last speed used. Direction reversal with pause time has not been switched on

6.6.2 Speed

30 to 400 rpm

The device is started with the preselected grinding time and at the last speed used. Direction reversal with pause time has not been switched on

6.6.3 Interval

00:00:01 to 99:59:59 (hours : minutes : seconds)

The interval time can be set here according to the grinding time. If no interval has been set, no direction reversal can be set.

6.6.4 Direction reversal

On/off

The device is started with the preselected grinding time, speed and direction reversal. The machine rotates in one direction for the set interval time, comes to a halt and starts again immediately in the other direction without a pause time.

6.6.5 Pause time

00:00:01 to 99:59:59 (hours : minutes : seconds)

The pause time between intervals can be set here.

No pause time can be set if no interval has been set.

The device is started with the preselected grinding time, speed and direction reversal. The machine rotates in one direction for the set interval time and comes to a halt; once it has stopped at the set interval time, the previously set pause time is displayed and counts down to 00:00:00.

The device starts again in the other direction when the pause time has expired.

6.6.6 Save parameters

The previously set parameters such as grinding time and speed can be saved in a memory here.

- Set the desired parameters.
- By turning the control knob (F), switch to the **Save parameters** menu option.
- Press the control knob (F).
- The **Save parameters** menu opens and the dark cursor line is on **Program**.
- Press the control knob (F) to select a program memory location.
- By turning the control knob (F), switch to the desired memory location.
- Press the control knob (F) to exit the memory location selection.
- Select either

- Save to save settings or
- Back to cancel without saving.

6.6.7 Start in

00:00:01 to 99:59:59 (hours : minutes : seconds)

You can set a countdown for starting the device.

- Press the STOP button to cancel the countdown.

6.7 Programs

6.7.1 Change program

You can change the saved parameters for any program in this menu.

- By turning the control knob (F), switch to the Change program menu option.
- Press the control knob (F).
- The Save parameters menu opens and the dark cursor line is on Program.

NOTICE

You can change the active program or any other program.

- Press the control knob (F) to activate the program selection.
- By turning the control knob (F), switch to the desired memory location.
- Press the control knob (F) to exit the memory location selection.
- Adjust the desired grinding parameters.
- Finally select either
 - Save to save settings or
 - Back to cancel without saving.
- This takes you back to the Program level.

NOTICE

It is not possible to start a program that has not been saved.

6.7.2 Delete program

You can delete the saved parameters for any program in this menu

NOTICE

Only the saved parameters for the program concerned are deleted. The program memory location continues to exist.

- By turning the control knob (F), switch to the Delete program menu option.
- Press the control knob (F).
- The Delete program menu opens and the dark cursor line is on Program.
- Press the control knob (F) to activate the program selection.
- By turning the control knob (F), switch to the desired program.
- Press the control knob (F) to exit the program selection.
- Finally select either
 - Delete to delete the settings or
 - Back to cancel without deleting.
- This takes you back to the Program level.

6.8 Basic settings

NOTICE

It is not possible to begin grinding while the basic settings menu is active.

6.8.1 Automatic opening

In this menu you can set whether the grinding jar lid opens automatically when grinding ends or only when the button is pressed.

If the function is switched off, the following pictogram appears on the display as confirmation.



Fig. 29: Automatic opening pictogram

6.8.2 Language

You can select the menu language here. After selecting and pressing the control knob, the entire menu structure is displayed in your language.

NOTICE

The language menu is displayed when the device is switched on for the first time.

- Select the desired language by turning the control knob.
- Press to confirm the selection; “open lid” appears on the display.

6.8.3 Brightness

The brightness can be adjusted to suit the respective user or environment (sunshine, glare etc.).

6.8.4 Date

The current date can be entered here.

The device can be disconnected from the mains for up to 30 days before the settings are lost.

6.8.5 Time

The time can be entered here.

The time then appears in the stand-by monitor.

The device can be disconnected from the mains for up to 30 days before the settings are lost.

6.8.6 Acoustic warning signal

Error messages indicating incorrect operation can be supported by an acoustic warning signal. The corresponding pictogram appears if the function has been switched off

6.8.7 Service

6.8.7.1 Operating hours

Grinding hours are counted, i.e. the total times between START and STOP. It is not possible to manipulate the times.

6.8.7.2 Software version of display

Shows the software version of the display.

6.8.7.3 Software version of the controller

Shows the version of the operating software .

6.8.7.4 Update software

6.8.7.4.1 Display

- The target display unit is selected on the PC using a selection menu for updating software.

- The data are transmitted from the connected PC to the controller circuit board using an interface cable (RS232). The controller circuit board forwards the data to the boot loader of the display unit.

6.8.7.4.2 Controller

- The target device controller is selected on the PC using a selection menu for updating software.
- The data are transmitted from the connected PC to the controller circuit board using an interface cable (RS232). The controller circuit board forwards the data to the boot loader of the device controller.

6.8.8 Safety notice

For many years the grinding jar clamping mechanism has been a proven, easy to use and reliable device. The basic prerequisite both for the safety of the operator and for the life of the machine components is careful clamping of the grinding jars. Please remember that this device involves grinding equipment which applies very high amounts of energy into the sample material, and that the grinding set therefore needs to be locked into position carefully.

Correct securing of the grinding jar is always queried prior to starting the machine in order to prevent operating errors.

Employees who have been especially trained and who are familiar with operation of the PM can also permanently fade out this safety notice. We do not recommend this course of action, particularly when there are changes in operating staff!

The device software is set up such that the message about the need to confirm clamping of the grinding jars is always displayed when the start button is actuated prior to starting the machine.

The grinding process begins after confirmation.

This safety notice can be faded out in the "Settings" menu.

7 Fault messages

Error code	(FEHLER) BESCHREIBUNG	DEFECT DESCRIPTION TRANSLATION
E10	ANTRIEB ÜBERLASTET	DRIVE OVERLOAD
E11	FEHLER ANTRIEB/MOTOR	FAILURE DRIVE/MOTOR
E20	FEHLER STEUERUNG	FAILURE CONTROLLER
E23	FEHLER LÜFTER	FAILURE FAN
E26	FEHLER FREQUENZUMRICHTER	FAILURE FREQUENCY CONVERTER
E41	FEHLER DREHZAHLSENSOR	FAILURE SPEED SENSOR
E50	FEHLER SICHERHEITSKREIS	FAILURE IN SAFETY CIRCUIT
H10	ANTRIEB ABKÜHLEN LASSEN!	ALLOW DRIVE TO COOL DOWN
H13	BELASTUNGSGRENZE! DREHZAHL REDUZIEREN!	OVERLOAD! REDUCE SPEED!
H14	BELASTUNGSGRENZE ÜBERSCHRITTEN! DREHZAHL WURDE REDUZIERT!	OVERLOAD! SPEED HAS BEEN REDUCED!
H42	DECKEL/HAUBE ÖFFNEN UND SCHLIESSEN	OPEN AND CLOSE LID/COVER

8 Cleaning, wear and service

WARNING

Risk of a fatal electric shock

- An electric shock can cause injuries in the form of burns and cardiac arrhythmia, respiratory arrest or cardiac arrest.
- **Do not clean the blender under running water. Use only a cloth dampened with water.**
- **Disconnect the power supply plug before cleaning the blender.**

WARNING

The device must always be switched off and disconnected from the mains before any interventions for cleaning or servicing purposes.

W0012

8.1 Service

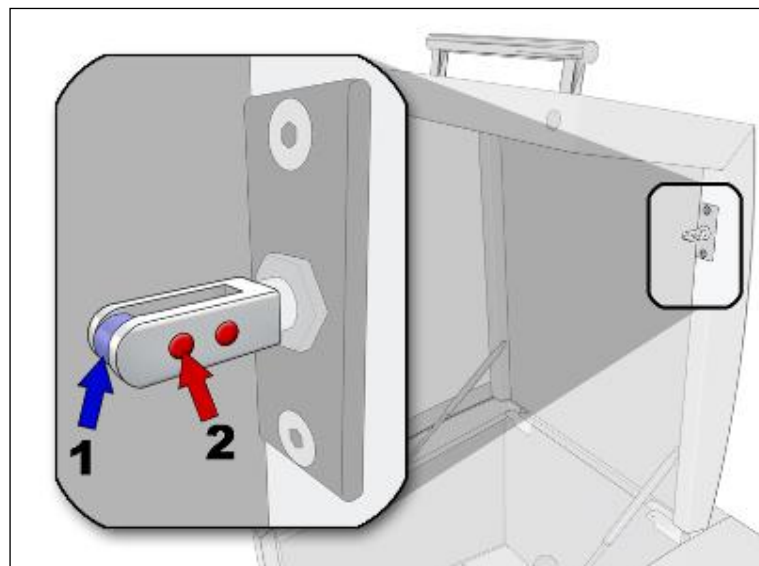


Fig. 30: Closing pin maintenance

The following maintenance work should be carried out at regular intervals, and at least monthly to guarantee the operational safety of the device:

- Check roller (1) of the closing pin for free movement, and oil where necessary, e.g. using sewing machine oil.
- Clean the magnets (2) on the closing pin.

8.1.1 Servicing the clamping unit

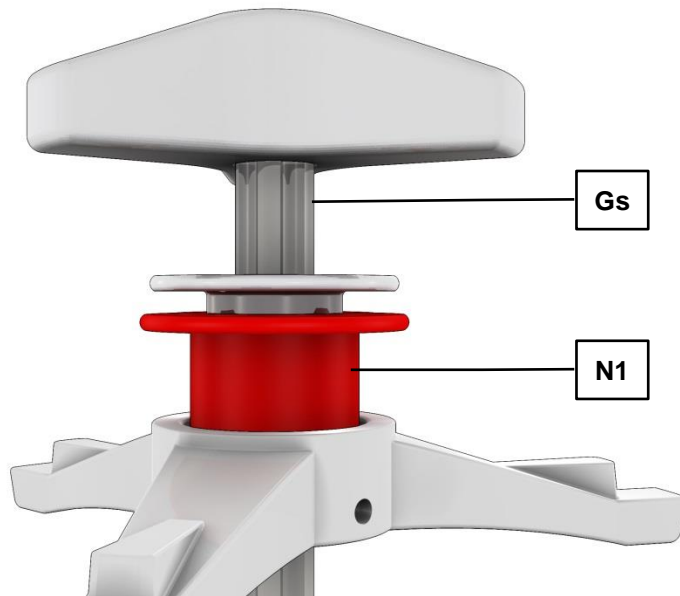


Fig. 31: Servicing the clamping unit

- Check that the threaded spindle (**Gs**) and locking sleeve (**N1**) can move freely.
- In most cases a drop of oil will help.

The smooth running of the threaded spindle and locking sleeve is the prerequisite for the secure clamping of the grinding jars.

Locking sleeves which do not slide down automatically through spring force cannot reliably prevent the threaded spindle from coming loose. The grinding jars may be ejected.

8.1.2 Wear to the bases of the clamping unit

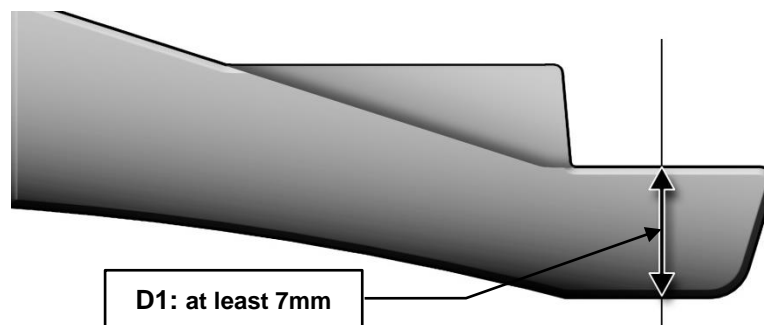


Fig. 32: Wear to the bases of the clamping unit

- Check the thickness (**D1**) of the three lead frame bases regularly for wear (at least monthly).
- The thickness (**D1**) of the three lead frame bases must not be less than 7mm.
- Operational safety can no longer be guaranteed if the thickness falls below this value (**D1**). The grinding jars may be ejected.

8.1.3 Rubber washer on the pressure plate

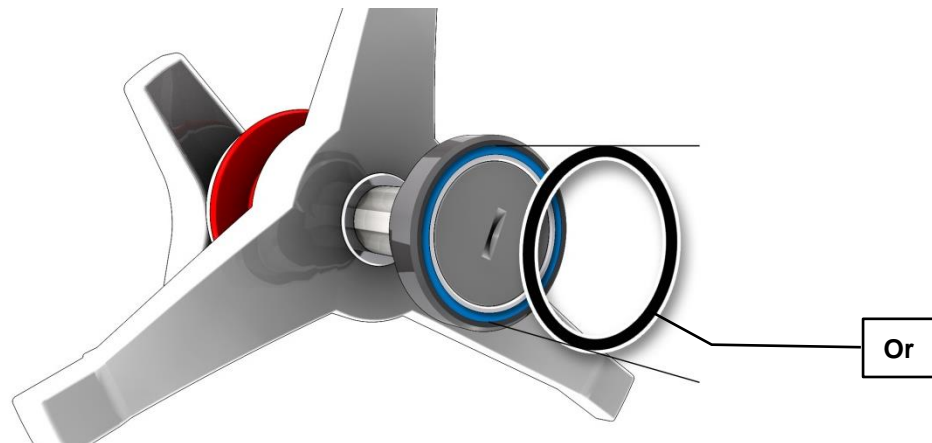


Fig. 33: Rubber washer on the pressure plate

- Check the O-ring (**Or**) on the pressure plate regularly for wear and to ensure it is secure.

8.1.4 Wear to latching bracket

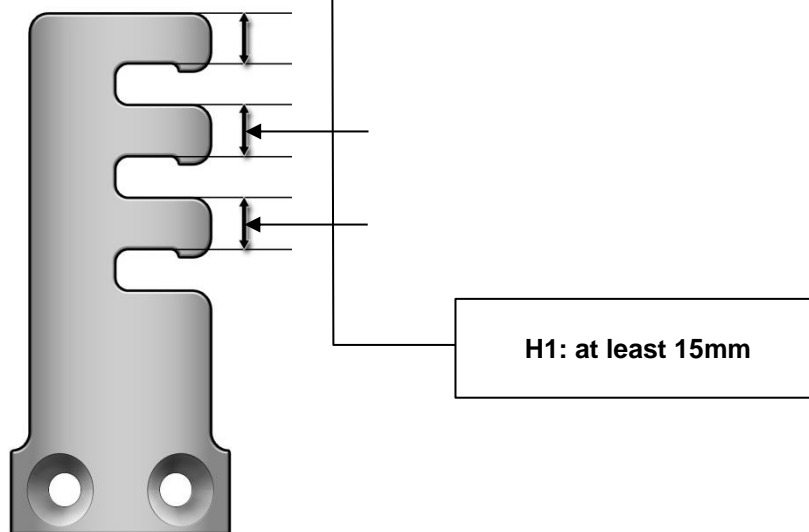


Fig. 34: Wear to the latching bracket

- Check the thickness (**H1**) of the twelve latching brackets (**Q**) regularly for wear (at least monthly).
- The thickness (**H1**) of the twelve latching brackets (**Q**) must not be less than 15mm.
- Operational safety can no longer be guaranteed if the thickness falls below this value (**H1**). The grinding jars may be ejected.

8.2 Replacing the machine fuses

WARNING

W00014

Mortal danger from electric shock

Exposed power contacts

- When replacing fuses on the cutout or fuse adapter you may come into contact with live contacts. An electric shock can lead to burns and to cardiac arrhythmias or to respiratory arrest and cardiac arrest.

- Remove the mains cable before replacing fuses.

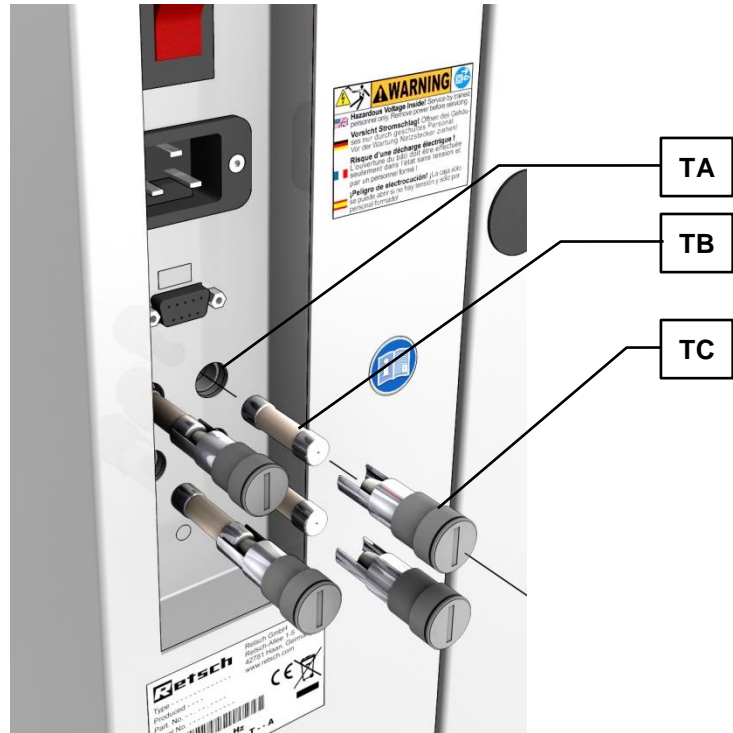


Fig. 35: Changing the fuses

NOTICE

Always replace all 4 fuses (TB).

- Type of fuse: 4 x 200mA T 250V
- Unscrew the 4 fuse holders (TC).
- Remove the fuse from the fuse holders and insert the new fuses.
- Place the fuse holders with the inserted fuses in the openings (TA).

8.3 Returning for service and maintenance



Fig. 2: Returned goods dispatch note

RETSCH devices and accessories can only be accepted for repair, maintenance or calibration if the returned goods despatch note has been correctly completed in full.

- When returning a device, attach the returned goods despatch note to the outside of the packaging.

In order to eliminate any health risk to our employees, we reserve the right to refuse acceptance and to return the respective delivery at the expense of the sender.

9 Disposal

Please observe the respective statutory requirements with respect to disposal. Information on disposal of electrical and electronic machines in the European Community.

Within the European Community the disposal of electrically operated devices is regulated by national provisions that are based on the EU Directive 2002/96/EC on Waste Electrical and Electronic Equipment (WEEE).

Accordingly, all machines supplied after 13.08.2005 in the business-to-business area to which this product is classified, may no longer be disposed of with municipal or household waste. To document this they have the following label:

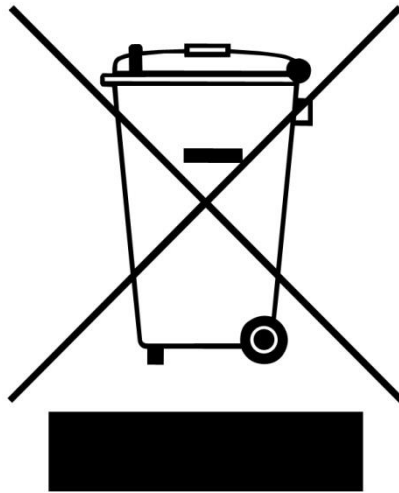


Fig. 3: Disposal label

Since the disposal regulations within the EU may differ from country to country we would request you to consult your supplier.

10 Index

>

>Mains connection 14

1

16A 20

A

Acoustic warning signal 45

Adjustment options using the display menu 40

Agate 33

all current sensitive 14

all current sensitive 14

Ambient temperature 12

Amperage 13

Anti-rotation device 35

Automatic lid closing 21

Automatic opening 45

B

Ball

quantity 33

size 33

Ball filling 33

Bar code 13

Basic settings 42, 44

Brightness 45

C

Capacity 13

CE marking 13

Change program 44

Changes 7

Clamping bolt 28

Clamping mechanism

opening 32

releasing 32

Clamping unit

servicing 49

wear 49

Cleaning the grinding jars 36

Cleaning, wear and service 48

Clearance distance 21

Close-up of the grinding chamber 22

Closing pin 25

Closing the grinding jar 37

Conditions for the place of installation 12

Confirmation 11

Connection cable 14, 20

Controller 46

Copyright 7

counter wrench 32

Counter wrench 32

creating interface connection 14

D

Date 45

Degree of protection 21

Delete program 44

Depth 21

Description 24, 25, 39

Device

closing 25

open 25

Device designation 13

Dimensions and weight 21

DIN 45635-31-01-KL3 21

Direct access to the language menu 40

Direction reversal 43

Display 45

Display and operation 39

Display unit – operation of the device 40

Disposal 53

Disposal label 13

Disposal label 53

E

Electrical connection 13, 20

EMC Directive 14

Emergency release 26

Emergency unlocking 26

Emissions 21

Emissions 21

Error code 47

Error messages 47

Errors 47

Explanations of the safety warnings 8

External fuse 14, 20

F

Fault messages 47

feed size 20

Feed sizes 33

Frequency converter 14

Function 24, 25, 39

Function of the locking sleeve 31

Fuse strength 13

Fuse type 13

G

General safety instructions 9

Grinding chamber inspection 33

Grinding jar – identification 36

Grinding jar cleaning 36

Grinding jar volume 33

Grinding time 43

H

Handling grinding jars 35

Height 21

Hoist
attaching 17

I

Inserting the clamping unit 31
Inserting the grinding jar 27, 30
Installation height 13, 17
Installation of the machine 13, 17
Interval 43
IP40 21

L

Latching bracket
wear 50
Lid closing 21
Lid closing mechanism 25
Locking sleeve 32
Locking the transport rollers 17
LpAeq 21

M

Machine type designation 19
Mahlbehälter Auswahl 33
Mains frequency 13
Manual operation 42
Manual operation 43
Manufacturer's address 13
Measurement conditions 21
Measurement of noise levels 21
Menu structure 42
Messages
errors 47
Moderate or mild injury 8
Mounting the transport screws 16

N

Noise levels 21
Nominal volume 33
Notes on the Operating Manual 7
Number of fuses 13
Number of grinding stations 20

O

Operating elements and displays 25
Operating hours 45
Operating modes 42
Operating software version 45
Operating the machine 22
Operation 39
Overview Table of the Operating Elements and the Display 25
Overview table of the parts of the device 24

P

Packaging 12
Part number 13
Pause time 43
Power 33
Power failure 26, 33

Power failure during grinding 33
Power version 13
Pressure plate 50
Probenmaterialien 33
Program 01 to 10 42
Programs 44
property damage 8
Protective earth 14
Protective equipment 21

Q

Quantity
ball 33

R

Rated power 20
Receptacle volume 20
Regulations for the place of installation 14, 20
Releasing the grinding jar clamping mechanism 32
Remaining grinding time 33
Removing the O-ring 36
Repairs 10
Replacing the machine fuses 50
Required floor space 21
Residual current protection device 14
Return goods dispatch note 51
Returning for service and maintenance 51
RS232 46
Rubber washer 50

S

Safety notice 46
Safety warnings 8
Sample quantity 33
Sample volumes 33
Save parameters 43
Selection bar 40
Serial number 13
serious injury 8
Service 45
Service 48
Service Address 10
Set language 45
shielded cable 14
Sintered corundum 33
Software
update 45
Software version of controller 45
Software version of display 45
Special steel 33
Speed 43
Stacking the grinding jars 34
Stainless steel 33
Start in 44
Suppressor capacitor wiring 14
Symbols in the Display Unit 39

T

Target group 19
Target group 9
Technical data 19
Temperature fluctuation and condensed water 12
Time 45
Transport 12, 15
Transport lock
 removing from the device 16
Transport, scope of delivery, installation 12
Tripping current 14
Tungsten carbide 33
Type plate 14, 20
type plate description 13
Type plate lettering 13

U

Ultrafine grinding 34
Unscrewing the transport lock from the transport
 pallet 16

Use of the machine for the intended purpose 19

V

View of the back of the device 23
View of the control panel 25
View of the front of the device 22
View of the menu on the display unit 39
Views of the Instrument 22

W

Weight 21
Width 21
Workplace-related emissions 21
wrong language 40

Y

Year of production 13

Z

Zirconium oxide 33

PLANETARY BALL MILL

PM 400 20.535.xxxx

Certificate of CE-Conformity according to:

EC Mechanical Engineering Directive 2006/42/EC

Applied harmonized standards, in particular:
DIN EN ISO 12100 Security of machines

EC Directive Electromagnetic Compatibility 2014/30/EU

Applied standards, in particular:

EN 61000-3-2/-3 Electromagnetic compatibility (EMC)
EN 61326 Electrical measuring, operating, controlling and laboratory equipment – EMC-requirements in conjunction with EN 61000

EN 55011 Limit values and measuring procedures for noise suppression of industrial, scientific and medical high frequency devices

Additional applied standards, in particular

DIN EN 61010 Safety prescriptions concerning measuring-, operating-, controlling- and laboratory equipment

Authorized person for the compilation of technical documents:

Dr. Loredana Di Labio (technical documentation)

The following records are held by Retsch GmbH in the form of Technical Documentation:

Detailed records of engineering development, construction plans, study (analysis) of the measures required for conformity assurance, analysis of the residual risks involved and operating instructions in due form according to the approved regulations for preparation of user information data.

The CE-conformity of the Retsch Planetary Ball Mill Type PM 400 is assured herewith.

In case of a modification to the machine not previously agreed with us as well as the use of not licensed spare parts and accessories this certificate will lose its validity.

Retsch GmbH

Haan, April 2016



Dr.-Ing. Frank Janetta
Manager Development



Distributed by:

Lab Unlimited
CARL STUART GROUP

Tallaght Business Park
Whitestown, Dublin 24,
Ireland
D24 RFK3

Tel: (01) 4523432
Fax: (01) 4523967
E-mail: info@labunlimited.com
Web: www.labunlimited.com

Quatro House, Frimley Road,
Camberley,
United Kingdom
GU16 7ER

Tel: 08452 30 40 30
Fax: 08452 30 50 30
E-mail: info@labunlimited.co.uk
Web: www.labunlimited.co.uk

Retsch

Copyright

© Copyright by
Retsch GmbH
Haan, Retsch-Allee 1-5
D-42781 Haan
Federal Republic of Germany