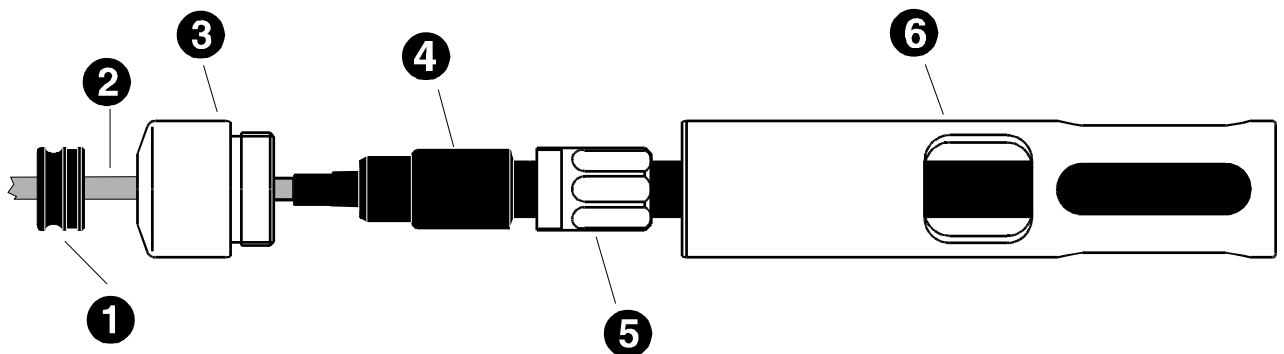
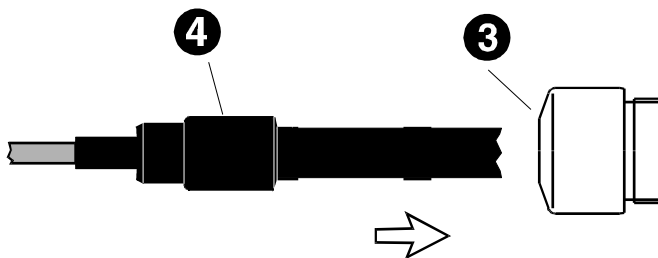


Armouring with Plastic Protection Hood A 325/K

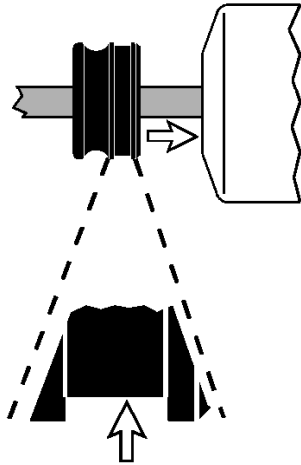


Assembly

1. Push sensor ④ through the armouring ③.



- Put clamping ring ❶ on the connection cable ❷.



The side with the sharp-edged notch must show to the armouring head !

- Squeeze clamping ring ❶, put it into the armouring ❸ and make it catch.
- Push sensor ❹ into the armouring ❸ as far as possible.
- Screw sensor ❹ with fixing nut ❺ into the armouring ❸ by hand.
- Screw on protection hood ❻.

Technical data

Type *Armouring with plastic protection hood*

Suitable for sensors *TetraCon 325® up to 20 m cable length*
CellOx 325® up to 20 m cable length

Material *Armouring POM* Distributed by:
Protection hood POM
Clamping ring POM



Carl Stuart Limited

ADVANCED APPLIED TECHNOLOGIES

Contact Us:

Irl Ph: 01 4523432

UK Ph: 08452 30 40 30

Web: www.carlstuart.com

Email: info@carlstuart.com

Diameter *38 mm*

Total length *192 mm*